



The Williams Brothers Corporation of America



WB FRU 810 Series



WB FR DW 820 Series



WB HG SEC 1100 Series



WB EXT 1350 ULTRA Series



WB GP 100 Series



WB UAD 200 Series



WB BASIC 300 Series

*Quality
Consistency
Stability*

WB PRODUCT WARRANTY: The Williams Brothers Corporation of America (the "Seller") provides the following warranty of its goods: All goods sold hereunder are warranted to be free from defects in material and workmanship for a period of one (1) year. The purchaser agrees that he will inspect the goods upon delivery. Every claim for defective material or workmanship or negligence or from any other cause shall be deemed waived by the purchaser unless made to the Seller in writing within ninety (90) days of the date of shipment from purchaser to purchasers' customer provided that all such claims for goods restocked for resale must be submitted in writing to the Seller within one (1) year from receipt by purchaser of the goods to which such claims relate. Defective goods for which a valid claim has been made shall be returned to the Seller and defective goods so returned will be replaced or repaired without charge, but the Seller shall not be liable for any other loss, damage or expense, **INCLUDING BUT NOT LIMITED TO CONSEQUENTIAL DAMAGES**, directly or indirectly arising from the condition or use of the goods or from any other cause, the exclusive remedy against the Seller being to require the replacement or repair of defective goods. **THIS WARRANTY IS THE SOLE AND EXCLUSIVE WARRANTY PROVIDED TO THE PURCHASER. THERE ARE NO WARRANTIES WHICH EXTEND BEYOND THE DESCRIPTION OF THE FACE HEREOF. THE SELLER HEREBY DISCLAIMS ALL OTHER WARRANTIES, EX-PRESS AND IMPLIED, INCLUDING BUT NOT LIMITED TO THE IMPLIED WARRANTIES OF MERCHANTABILITY AND FITNESS FOR A PARTICULAR PURPOSE.**

IMPORTANT INFORMATION

PLEASE NOTE: We have made every effort to make this catalog complete and accurate. We reserve the right, however, to make changes at any time, without notice, in prices, materials, equipment, specifications, models and availability.

Specifications, dimensions, measurements, and other numbers in this catalog and other printed materials provided regarding these products are approximates based upon design and engineering drawings and prototypes. Your

specific door may differ slightly due to variations in manufacture and equipment.

In addition, some information may have been updated since the time of printing, please contact customer service for complete details on all products.

WBCA assumes no liability for incorrect, improper or faulty installation of any of our products, or for use of our products other than their intended purposes.

GASKET:

Weather resistive gasket, closed cell sponge, blend of Neoprene/EPDM/SBR. Meets ASTM D-1056: SCE 41, RE 41, 2A1; substrate UL 94HF-1 recognized.

Hot Smoke Seal™ fire tested: Listed to meet the requirements of standards UL10B, UL10C, UBC 7-2, Part 1 and BS476: 1987 for application to fire rated door assemblies. It also is a chemically inert, highly stable, expandable graphite strip, tested and proven in positive pressure conditions to withstand both hot smoke and hot gases, resulting in the longer integrity of a door assembly. More economical to use than specially modified doors in "tested assembly only" classifications. Chemically inert, and therefore will not degrade from carbon dioxide and ozone like the many intumescent being offered by other manufacturers. Not affected by moisture and will not break down like fiber or cellulose based products and does not require periodic after market field inspections.

Exterior Door: Open celled microcellular polyurethane on inside of door. Closed cell neoprene sponge SC42 W/PSA stripping gasket on the back of the door.

INSULATION:

ThermaFiber™ Industrial Felt insulation for optimal fire protection (rated noncombustible by NFPA Standard 220 when tested in accordance with ASTM E136 and withstands ASTM E119) and superior sound control USG tested per ASTM C165: 8 pcf STC 15-2" thickness.



GreenGuard™ Extruded Polystyrene insulation board, with R-Value @ 75°F Mean 5.0 x 2. R means resistance to heat flow. The higher the R-Value the greater the insulating power and energy saving capability. Compliance: BOCA 90-78, SBCCI 2228A, ICBO 4280, CA BHF TB 1334, MN Dept. of Energy Chapter 7640, CCMC 12722-L, Und. Lab. Inc.™ See Classification Certificate A183. FM Approved.

TUFF-R™ Patented polyisocyanurate foam core insulation boards for the WB AL 1500 Series door only, with R-Value @

75°F Mean 6.5. Compliance: IBC/IRC, ICBO, BOCA, SBCCI and ASTM D1289 type 1, Class 1.

FIRE RATING:



WB FR Basic 900 Series Uninsulated Access Door

UL, Northbrook, IL - 1-1/2 hour "B" label, no temperature rise for vertical wall installations only. **Test file number - R-10364**

WB FR 850 Series Upward Swinging Access Door

Warnock Hersey International - approved for ceiling, 3 hours fire rated (max 24" x 36") - Report # WHI-495-PSH-0186

WB FR Premium 710 Series Heavy Duty Access Door

UL, Northbrook, IL - 1-1/2 hour "B" level 450 degrees F (250 degrees C) maximum temperature rise in 30 minutes for vertical wall installations only. **Test file number R-10364.**

This door may be used in a two hour fire rated wall assembly
WB FR Standard 800, 820, 830 Series Access Door Floor and Ceiling Assembly

UL, Northbrook, IL - 1-1/2 hour "B" label 450 degrees F (250 degrees C) maximum temperature rise in 30 minutes for vertical wall installations only. **Test file number R-10364.**

This door may be used in a two hour fire rated wall assembly
Warnock Hersey International - 1 hour fire rated combustible floor and ceiling assembly - Report # WHI-495-PSH-0191

Warnock Hersey International - 3 hour fire rated non-combustible floor and ceiling assembly - Report # WHI-495-PSH-0192

WB FRU 810 Series Standard Ultra Access Door

Floor and Ceiling Assembly

UL, Northbrook, IL - 1-1/2 hour "B" label 450 degrees F (250 degrees C) maximum temperature rise in 30 minutes for vertical wall installations only. **Test file number R-10364.**

This door may be used in a two hour fire rated wall assembly
Warnock Hersey International - 1 hour fire rated combustible floor and ceiling assembly - Report # WHI-495-PSH-0191

Warnock Hersey International - 3 hour fire rated non-combustible floor and ceiling assembly - Report # WHI-495-PSH-0192

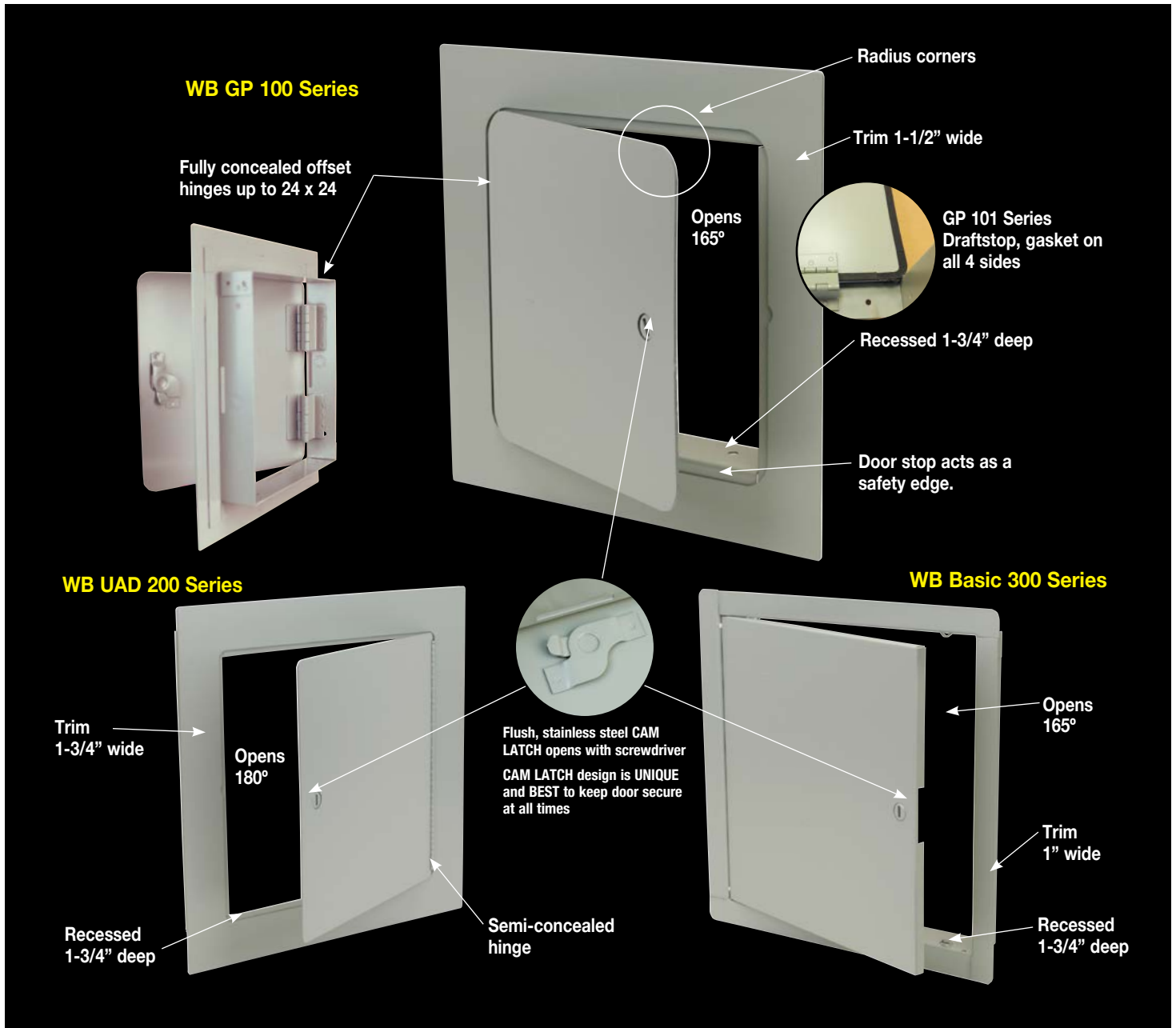
All fire rated tested doors meet or exceed NFPA 252 and NFPA 80 standards.

Contents

WB Universal Non-Rated Access Doors.....	3	WB Exterior Access Doors	
WB GP 100 Series (General Purpose).....	4	WB EXT 1350 Ultra Series (Exterior Access Door)	16
WB GP 101 Series (Draftstop).....	5	WB Airtight/Watertight Access Doors	
WB GP 102 Series (Close Assist Ultra)	5	WB ADWT Airtight/Watertight Access Door	16
WB UAD 200 Series (Utility Access Door)	6	WB Lightweight Gypsum Access Doors	
WB BASIC 300 Series (Most Economical Door).....	6	WB GY 3000 Series (Lightweight Gypsum)	17
WB RP 110 Series (Removable Panel).....	7	WB GY 3100 Series (Lightweight Hinged Gypsum).....	17
WB SMP 120 Series (Surface Mounted Panel).....	7	WB Plastic Access Doors	
WB AL 1500 Series (Aluminum Door)	7	WB MAP 1800 (Plastic Reversible Panel)	17
WB Fire Rated Access Doors.....	8	WB MAP 1850 (Plastic Hinged).....	17
WB FR 800 Series (Fire Rated Standard).....	9	WB Duct Access Doors	
WB FRU 810 Series (Fire Rated Standard Ultra)	9	WB CAD 1400/HAD 1410 Series (True Fit Duct).....	18
WB FR PRE 710 Heavy Duty Series (Fire Rated Premium)	10	WB WIN 1700 Series (Insulated Walk-In Duct Door)	18
WB FR DW 820 Series (Fire Rated Standard Drywall).....	10	Available Optional Accessories	19
WB FR PL 840 Series (Fire Rated Standard Plaster).....	11	WB Roof and Floor Access Division	
WB FR PL 850 Series Upward Swinging (NEW).....	11	WB-Roof Hatch	20
WB FRB 900 Series (Fire Rated Basic Uninsulated).....	11	WB Safety Post	20
WB Drywall/Plaster Access Doors		WB 6000 Guard Railing System.....	20
WB DW 400 Series (Drywall Access Door)	12	WB APS 8100 Aluminum Floor Hatch.....	21
WB RDW 410 Series (Recessed Drywall).....	12	WB R-APS 8150 Aluminum Floor Hatch.....	21
WB PL 500 Series (Plaster)	12	WB TPS 8322 Aluminum Floor Hatch.....	22
WB AP 510 Series (Acoustical Plaster)	13	WB R-TPS 8400 Recessed Floor Hatch	22
WB DWAL 412 Aluminum Hatch (Fully Detachable).....	13	WB SRR-I 8600 Aluminum Security, Reservoir & Roof	23
WB DWAL 411 Aluminum Panel (Fixed Hinges).....	14	WB THS 8200 Aluminum w/Stapled Floor Hatch	23
WB Acoustical Tile Access Doors		WB FD 8500 Fire-Rated Floor Hatch	24
WB AT 600 Series (Acoustical Tile).....	14	WB FD-P 8550 Fire-Rated Floor Hatch (1" or 1/8" Recess).....	24
WB ATR 610 Series (Acoustical Tile Ceiling)	14	Bilco Products (Roof Hatch, Floor Door)	25
WB Security Access Doors		WB Access Ladder	
WB MD SEC 1000 Series (Medium Security).....	15	WB Fixed Vertical Ladders.....	26
WBHG SEC 1100 Series (High Security).....	15	WB Super Simplex Disappearing Stairway	27
WB Drop-In Ceiling Doors		WB Fire Rated Ladder Access Hatch	27
WB TB 1210 Series (Aluminum).....	15		

WB Universal Non-Rated Access Doors

See pages 3 – 7



WB GP 100 Series - BEST!

- WB GP 100 Series is the industry's PREMIER 14 ga. door
- LASER CUT from one sheet of cold rolled steel, no corner mitering – aesthetically preferred by architects and building professionals
- UNIQUE FULLY CONCEALED offset hinge (over 24"x 24" is semi-concealed)
- Specialty designed stainless steel cam keeps door secured at all times
- Optional WB GP 101 DRAFTSTOP Series, with draft resistive neoprene gasket on all 4 sides
- Optional with WB 151 Keycode, Mortise Best Lock and locks by others

WB UAD 200 Series - BETTER!

- Door and trim 16 ga. steel
- LASER CUT from one sheet of cold rolled steel, no corner mitering – aesthetically preferred by architects and building professionals
- All doors have semi-concealed hinge
- Specialty designed stainless steel cam keeps door secured at all times
- Optional with WB 151 Keycode, Mortise Best Lock and locks by others

WB BASIC 300 Series - GOOD!

- WB BASIC 300 Series is the access door for multi-use application for wall and ceiling
- 18 ga. steel throughout sizes up to and including 16" x 16", 16 ga. steel throughout sizes 18" x 18" and larger
- Mitered corners
- Pin hinge top and bottom
- Specialty designed stainless steel cam keeps door secured at all times
- Cannot be gasketed
- Galvanized for exterior applications
- WB 151 Keycode Cylinder lock



WB GP 100 Series Premium Access Door

This precision-flush access door for wall and ceiling installation far surpasses other doors. Laser cut from one sheet of cold rolled steel, no corner mitering – aesthetically preferred by architects and building professionals.



BEST!

Construction Specifications:

Door: 14 ga. steel with radius corners

Trim: 18 ga. steel

Finish: Primed grey baked enamel

Latches: Flush, stainless steel cam latch

Hinges: Fully-concealed offset hinge up to and including 24 x 24 allows opening to 165°, **over 24 x 24 is semi-concealed allowing 180°**

ALSO AVAILABLE: (visit our website for submittals)

- **WB GP 101** Series Draft Resistive Premium Access Door with draft resistive neoprene gasketed on all 4 sides.
- **WB GP 102** Series Close Assist Premium Access Door with Ultra lock, interior slam catch, and self-assisted closing.

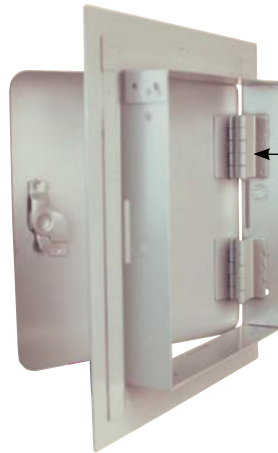
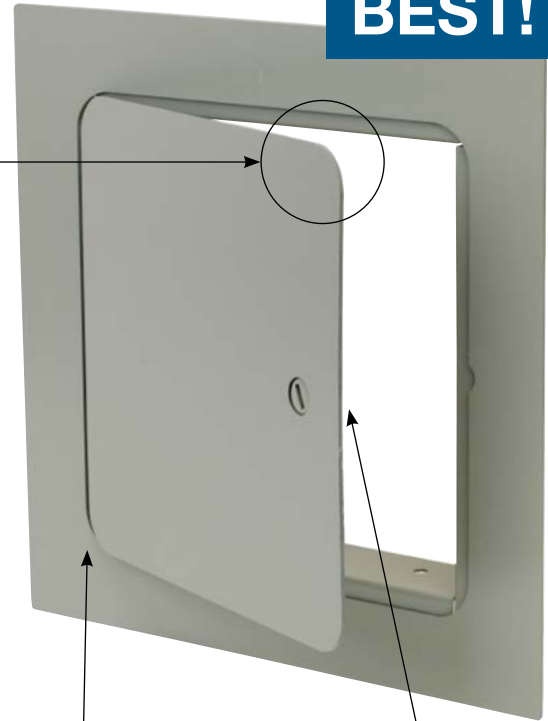
Options: (at additional cost)

- + Stainless Steel Type 304 No. 4 and Type 316 No. 4 Satin Finish brushed
- + WB 151 Key Code Cylinder locks - keyed alike w/2 keys per lock
- + Mortise Best Lock or locks by others
- + Louvers - WB GP 103 Series* (1/4, 1/2, or Full louvers)
- + Special sizes available

Standard Sizes:

Model No.	Door Size W x H	Wall Opening	Cam Latch	Ship Wt Lbs
GP 100	6 x 6	6 1/4 x 6 1/4	1	4
GP 100	8 x 8	8 1/4 x 8 1/4	1	5
GP 100	8 x 12	8 1/4 x 12 1/4	1	6
GP 100	8 x 16	8 1/4 x 16 1/4	1	8
GP 100	10 x 10	10 1/4 x 10 1/4	3	6
GP 100	12 x 12*	12 1/4 x 12 1/4	3	8
GP 100	12 x 16	12 1/4 x 16 1/4	3	10
GP 100	12 x 18	12 1/4 x 18 1/4	3	11
GP 100	12 x 24	12 1/4 x 24 1/4	4	15
GP 100	14 x 14	14 1/4 x 14 1/4	3	10
GP 100	16 x 16	16 1/4 x 16 1/4	3	13
GP 100	16 x 20	16 1/4 x 20 1/4	3	16
GP 100	16 x 24	16 1/4 x 24 1/4	4	17
GP 100	18 x 18*	18 1/4 x 18 1/4	3	14
GP 100	18 x 24	18 1/4 x 24 1/4	4	18
GP 100	18 x 36	18 1/4 x 36 1/4	5	29
GP 100	20 x 20	20 1/4 x 20 1/4	3	17
GP 100	20 x 24	20 1/4 x 24 1/4	4	21
GP 100	20 x 30	20 1/4 x 30 1/4	4	23
GP 100	22 x 22	22 1/4 x 22 1/4	4	22
GP 100	22 x 24	22 1/4 x 24 1/4	4	23
GP 100	22 x 30	22 1/4 x 30 1/4	4	25
GP 100	22 x 36	22 1/4 x 36 1/4	5	32
GP 100	24 x 24*	24 1/4 x 24 1/4	4	24
GP 100	24 x 30	24 1/4 x 30 1/4	4	27
GP 100	24 x 36	24 1/4 x 36 1/4	5	35
GP 100	24 x 48	24 1/4 x 48 1/4	6	43
GP 100	30 x 30	30 1/4 x 30 1/4	6	32
GP 100	30 x 36	30 1/4 x 36 1/4	6	39
GP 100	32 x 32	32 1/4 x 32 1/4	6	35
GP 100	36 x 36	36 1/4 x 36 1/4	7	44
GP 100	36 x 48	36 1/4 x 48 1/4	8	57
GP 100	48 x 48	48 1/4 x 48 1/4	12	70

*WB GP LV 103 standard sizes.



Fully concealed offset hinges up to 24 x 24



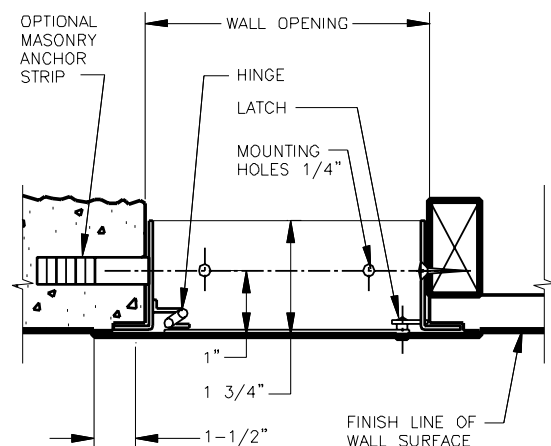
Flush, stainless steel cam latch opens with screwdriver



GP LV 103 Series w/Louvers

This Premium precision-flush access door for wall and ceiling installation promotes air flow and temperature control with louvered options.

SECTION DETAIL:



WB GP 101 Series Draftstop Premium Access Door

Standard Sizes:

Model No.	Door Size W x H	Wall Opening	Cam Latch	Ship Wt Lbs
GP 101	6 x 6	6 1/4 x 6 1/4	1	4
GP 101	8 x 8	8 1/4 x 8 1/4	1	5
GP 101	8 x 12	8 1/4 x 12 1/4	1	6
GP 101	8 x 16	8 1/4 x 16 1/4	1	8
GP 101	10 x 10	10 1/4 x 10 1/4	3	6
GP 101	12 x 12	12 1/4 x 12 1/4	3	8
GP 101	12 x 16	12 1/4 x 16 1/4	3	10
GP 101	12 x 18	12 1/4 x 18 1/4	3	11
GP 101	12 x 24	12 1/4 x 24 1/4	4	15
GP 101	14 x 14	14 1/4 x 14 1/4	3	10
GP 101	16 x 16	16 1/4 x 16 1/4	3	13
GP 101	16 x 20	16 1/4 x 20 1/4	3	16
GP 101	16 x 24	16 1/4 x 24 1/4	4	17
GP 101	18 x 18	18 1/4 x 18 1/4	3	14
GP 101	18 x 24	18 1/4 x 24 1/4	4	18
GP 101	18 x 36	18 1/4 x 36 1/4	5	29
GP 101	20 x 20	20 1/4 x 20 1/4	3	17
GP 101	20 x 24	20 1/4 x 24 1/4	4	21
GP 101	20 x 30	20 1/4 x 30 1/4	4	23
GP 101	22 x 22	22 1/4 x 22 1/4	4	22
GP 101	22 x 24	22 1/4 x 24 1/4	4	23
GP 101	22 x 30	22 1/4 x 30 1/4	4	25
GP 101	22 x 36	22 1/4 x 36 1/4	5	32
GP 101	24 x 24	24 1/4 x 24 1/4	4	24
GP 101	24 x 30	24 1/4 x 30 1/4	4	27
GP 101	24 x 36	24 1/4 x 36 1/4	5	35
GP 101	24 x 48	24 1/4 x 48 1/4	6	43
GP 101	30 x 30	30 1/4 x 30 1/4	6	32
GP 101	30 x 36	30 1/4 x 36 1/4	6	39
GP 101	32 x 32	32 1/4 x 32 1/4	6	35
GP 101	36 x 36	36 1/4 x 36 1/4	7	44
GP 101	36 x 48	36 1/4 x 48 1/4	8	57
GP 101	48 x 48	48 1/4 x 48 1/4	12	70

This Premium precision-flush access door for wall and ceiling installation far surpasses other doors. Our WB GP 101 Series Premium is gasketed on all 4 sides for optimum draft resistive effect.

Construction Specifications:

Door: 14 ga. steel with radius corners

Trim: 18 ga. steel

Finish: Primed grey baked enamel

Latches: Flush, stainless steel cam latch

Hinges: Fully-concealed offset hinge up to and including 24 x 24 allows opening to 165°, **over 24 x 24 is semi-concealed allowing 180°**

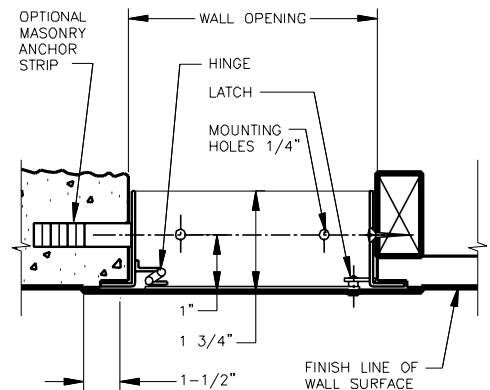
Gasket: Draft resistive neoprene gasket all 4 sides (Closed cell sponge, blend of Neoprene/EPDM/SBR. Meets ASTM D-1056: SCE 41, RE 41, 2A1; substrate UL 94HF-1 recognized)

Options: (at additional cost)

- + Stainless Steel Type 304 No. 4 and Type 316 No. 4 Satin Finish brushed
- + WB 151 Key Code Cylinder locks - keyed alike w/2 keys per lock
- + Mortise Best Lock and locks by others
- + Special sizes available



SECTION DETAIL:



WB GP 102 Series Close Assist Premium Access Door

This Premium precision-flush access door for wall and ceiling installation far surpasses other doors. The WB GP 102 Series Premium features close assist, ultra lock and interior latch release.

Standard Sizes:

Model No.	Door Size W x H	Inside Wall Opening	Ultra Lock	Ship Wt. Lbs.
GP 102	12 x 12	12 1/4 x 12 1/4	1	8
GP 102	14 x 14	14 1/4 x 14 1/4	1	10
GP 102	16 x 16	16 1/4 x 16 1/4	1	13
GP 102	18 x 18	18 1/4 x 18 1/4	1	14
GP 102	22 x 30	22 1/4 x 30 1/4	1	25
GP 102	24 x 24	24 1/4 x 24 1/4	1	24
GP 102	24 x 36	24 1/4 x 36 1/4	2	35

Construction Specifications:

Door: 14 ga. steel with radius corners

Trim: 18 ga. steel

Finish: Primed grey baked enamel

Latch: Ultra lock with slam lock, flush latch release or key operated (WB 151 Key Code Cylinder locks-keyed alike w/2 keys per lock), interior latch release

Hinges: Semi-concealed hinge up to and including 24 x 24. Allows opening to 165°, Over 24 x 24 is semi-concealed allowing 180°

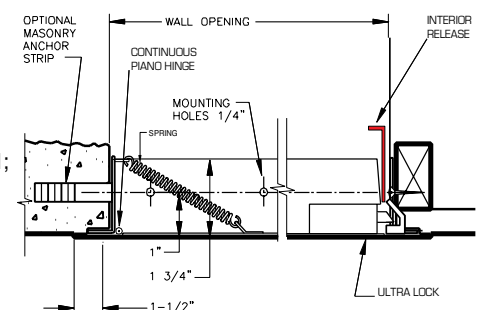
WB GP 102: Series Close Assist Premium Access Door with Ultra lock, interior slam catch, and self-assisted closing.

Options: (at additional cost)

- + Stainless Steel Type 304 No. 4
- + Type 316 No. 4 Satin Finish brushed
- + Weather resistive neoprene gasket all 4 sides (Closed cell sponge, blend of Neoprene/EPDM/SBR. Meets ASTM D-1056: SCE 41, RE 41, 2A1; substrate UL 94HF-1 recognized)
- + Special sizes available



SECTION DETAIL:



WB UAD 200 Series Utility Access Door

Laser cut from one sheet of cold rolled steel, no corner mitering – aesthetically preferred by architects and building professionals.

BETTER!

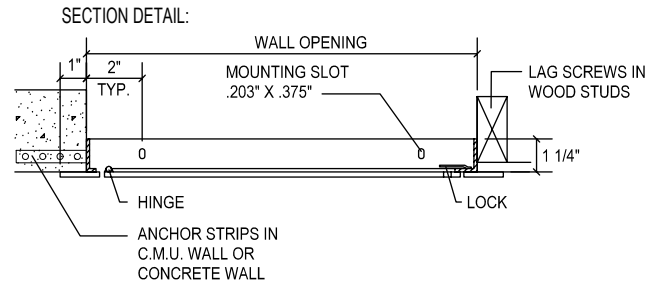
Standard Sizes:

Model No.	Door Size W x H	Wall Opening	Cam Latch	Ship Wt Lbs
UAD 200	8 x 8	8 1/8 x 8 1/8	1	5
UAD 200	10 x 10	10 1/8 x 10 1/8	1	7
UAD 200	12 x 12	12 1/8 x 12 1/8	1	8
UAD 200	14 x 14	14 1/8 x 14 1/8	3	11
UAD 200	16 x 16	16 1/8 x 16 1/8	3	13
UAD 200	18 x 18	18 1/8 x 18 1/8	3	15
UAD 200	20 x 20	20 1/8 x 20 1/8	4	19
UAD 200	22 x 22	22 1/8 x 22 1/8	4	21
UAD 200	22 x 30	22 1/8 x 30 1/8	5	27
UAD 200	22 x 36	22 1/8 x 36 1/8	5	30
UAD 200	24 x 24	24 1/8 x 24 1/8	4	24
UAD 200	24 x 30	24 1/8 x 30 1/8	5	28
UAD 200	24 x 36	24 1/8 x 36 1/8	5	32
UAD 200	24 x 48	24 1/8 x 48 1/8	5	40
UAD 200	30 x 30	30 1/8 x 30 1/8	6	34
UAD 200	36 x 36	36 1/8 x 36 1/8	6	45

Construction Specifications:

- Door:** 16 ga. steel with radius corners
- Trim:** 16 ga. steel
- Finish:** Primed grey baked enamel
- Latches:** Flush, stainless steel cam latch
- Hinge:** Full length semi-concealed piano hinge
- Options:** (at additional cost)
 - + Stainless Steel Type 304 No. 4 and Type 316 No. 4 Satin Finish brushed
 - + WB 151 Key Code Cylinder locks - keyed alike with 2 keys per lock
 - + Mortise Lock or locks by others
 - + Weather resistive neoprene gasket 3 sides. (Closed cell sponge, blend of Neoprene/EPDM/SBR. Meets ASTM D-1056: SCE 41, RE 41, 2A1; substrate UL 94HF-1 recognized)
 - + Special sizes available

Flush, stainless steel cam latch opens with screwdriver



WB BASIC 300 Series Access Door

Standard Sizes:

Model No.	Door Size W x H	Wall Opening	Cam Latch	Ship Wt Lbs
BASIC 300	6 x 6	6 1/4 x 6 1/4	1	2
BASIC 300	8 x 8	8 1/4 x 8 1/4	1	3
BASIC 300	10 x 10	10 1/4 x 10 1/4	1	4
BASIC 300	12 x 12	12 1/4 x 12 1/4	1	5
BASIC 300	12 x 24	12 1/4 x 24 1/4	1	8
BASIC 300	14 x 14	14 1/4 x 14 1/4	3	6
BASIC 300	16 x 16	16 1/4 x 16 1/4	3	8
BASIC 300	16 x 24	16 1/4 x 24 1/4	3	10
BASIC 300	18 x 18	18 1/4 x 18 1/4	3	9
BASIC 300	20 x 20	20 1/4 x 20 1/4	4	11
BASIC 300	20 x 30	20 1/4 x 30 1/4	4	16
BASIC 300	22 x 22	22 1/4 x 22 1/4	5	13
BASIC 300	22 x 30	22 1/4 x 30 1/4	5	16
BASIC 300	22 x 36	22 1/4 x 36 1/4	5	17
BASIC 300	24 x 24	24 1/4 x 24 1/4	4	14
BASIC 300	24 x 30	24 1/4 x 30 1/4	4	15
BASIC 300	24 x 36	24 1/4 x 36 1/4	5	16
BASIC 300	24 x 48	24 1/4 x 48 1/4	5	23
BASIC 300	30 x 30	30 1/4 x 30 1/4	7	19
BASIC 300	36 x 36	36 1/4 x 36 1/4	7	23

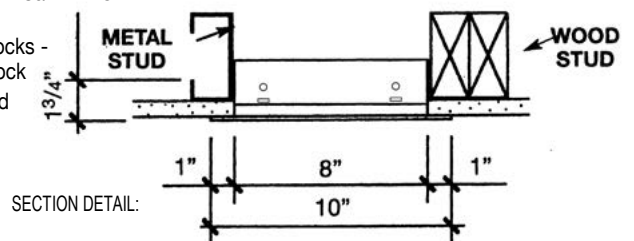
This cost effective access door is satin coat galvanized with a primed grey baked enamel finish. This door is for indoor and outdoor use. When price is an issue, bid any job with confidence using the WB-Basic Door.

GOOD!

Construction Specifications:

- Door & Trim:** 18 ga. steel, 7/16" door return lip edge
- Finish:** Satin coated galvanized with primed grey baked enamel
- Hinge:** Pin hinge top and bottom. Allows opening to 170°
- Lock:** Stainless steel flush cam latch
- Options:** (at additional cost)
 - + Stainless Steel Type 304 No. 4 and Type 316 No. 4 Satin Finish brushed
 - + Stainless Steel Type 316 No. 4 Satin Finish Brushed
 - + WB 151 Key Code cylinder locks - keyed alike with 2 keys per lock
 - + This door cannot be gasketed
 - + Special sizes available

Flush, stainless steel cam latch opens with screwdriver



WB RP 110 Series Removable Panel Access Door

Construction Specifications:

Door: 14 ga. steel

Trim: 18 ga. steel

Finish: Primed grey baked enamel

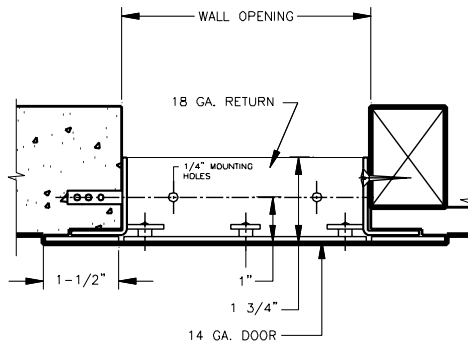
Latches: Flush, stainless steel cam latches on all 4 sides.

Options: (at additional cost)

- + Stainless Steel Type 304 No. 4 and Type 316 No. 4 Satin Finish brushed
- + 2 WB 151 Key Code Cylinder locks - keyed alike with 2 keys per lock
- + Mortise Best Lock or locks by others
- + Weather resistive neoprene gasket 4 sides (Closed cell sponge, blend of Neoprene/EPDM/SBR. Meets ASTM D-1056: SCE 41, RE 41, 2A1; substrate UL 94HF-1 recognized)
- + Special sizes available

Designed with the same quality features as our GP 100 Series door, but primarily designed for use in confined areas. Simply unscrew the cam latches, and the panel can be easily removed.

SECTION DETAIL:



Standard Sizes:

Model No.	Door Size W x H	Inside Wall Opening	Cam Latch	Ship Wt. Lbs.
RP 110	8 x 8	8 1/4 x 8 1/4	4	3
RP 110	12 x 12	12 1/4 x 12 1/4	4	8
RP 110	16 x 16	16 1/4 x 16 1/4	4	10
RP 110	18 x 18	18 1/4 x 18 1/4	4	13
RP 110	24 x 24	24 1/4 x 24 1/4	8	20

WB SMP 120 Series Surface Mounted Access Door

Construction Specifications:

Door: 14 ga. steel

Trim: 18 ga. steel

Finish: Primed grey baked enamel

Latches: Flush, stainless steel cam latch

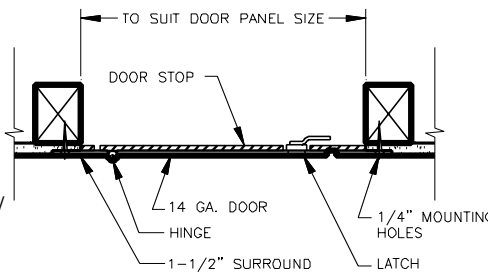
Hinges: Full length piano hinge allows door to open to 180°

Options: (at additional cost)

- + Stainless Steel Type 304 No. 4 and Type 316 No. 4 Satin Finish brushed
- + WB 151 Key Code Cylinder locks - keyed alike with 2 keys per lock
- + Weather resistive neoprene gasket 4 sides. (Closed cell sponge, blend of Neoprene/EPDM/SBR. Meets ASTM D-1056: SCE 41, RE 41, 2A1; substrate UL 94HF-1 recognized)
- + Special sizes available

When access is a requirement without a framed opening, our precision fit surface mounted access door is the solution in all types of walls and ceilings. Laser cut from one sheet of steel for visual aesthetics, no recess.

SECTION DETAIL:



Standard Sizes:

Model No.	Door Size W x H	Inside Wall Opening	Cam Latch	Ship Wt. Lbs.
SMP 120	8 x 8	8 x 7 3/4	1	4
SMP 120	12 x 12	12 x 11 3/4	1	5
SMP 120	16 x 16	16 x 15 3/4	3	10
SMP 120	18 x 18	18 x 17 3/4	3	14
SMP 120	24 x 24	24 x 23 3/4	4	18

WB AL 1500 Series Aluminum Access Door

This lightweight, insulated, and gasketed, all aluminum access door is ideal for exterior applications, and also those specific interior applications where corrosion or moisture is a concern. The non-extruded door frame has the same visual aesthetic design as the GP 100 Series door and is insulated with 1" TUFF-RTM polyisocyanurate.

Standard Sizes:

Model No.	Door Size W x H	Inside Wall Opening	Cam Latch	Ship Wt. Lbs.
AL 1500	8 x 8	8 1/2 x 8 1/2	1	2
AL 1500	10 x 10	10 1/2 x 10 1/2	3	3
AL 1500	12 x 12	12 1/2 x 12 1/2	3	4
AL 1500	14 x 14	14 1/2 x 14 1/2	3	5
AL 1500	16 x 16	16 1/2 x 16 1/2	3	6
AL 1500	18 x 18	18 1/2 x 18 1/2	3	7
AL 1500	24 x 24	24 1/2 x 24 1/2	4	9
AL 1500	24 x 36	24 1/2 x 36 1/2	5	12
AL 1500	24 x 48	24 1/2 x 48 1/2	6	16
AL 1500	30 x 30	30 1/2 x 30 1/2	6	12
AL 1500	36 x 36	36 1/2 x 36 1/2	7	16

Construction Specifications:

Door & Trim: .063 Aluminum

Finish: Mill finish

Latch: Flush aluminum cam latch

Hinge: Concealed continuous piano type

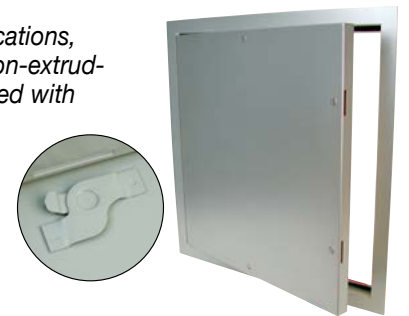
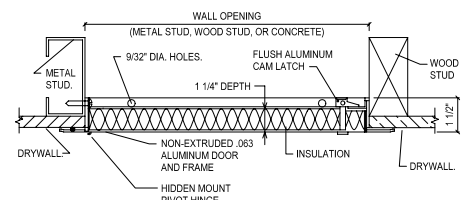
Insulation: 1" TUFF-RTM polyisocyanurate insulation, with 6.5 R-Value at 75o F mean temperature

Gasket: Neoprene gasket included on all 4 sides

Options: (at additional cost)

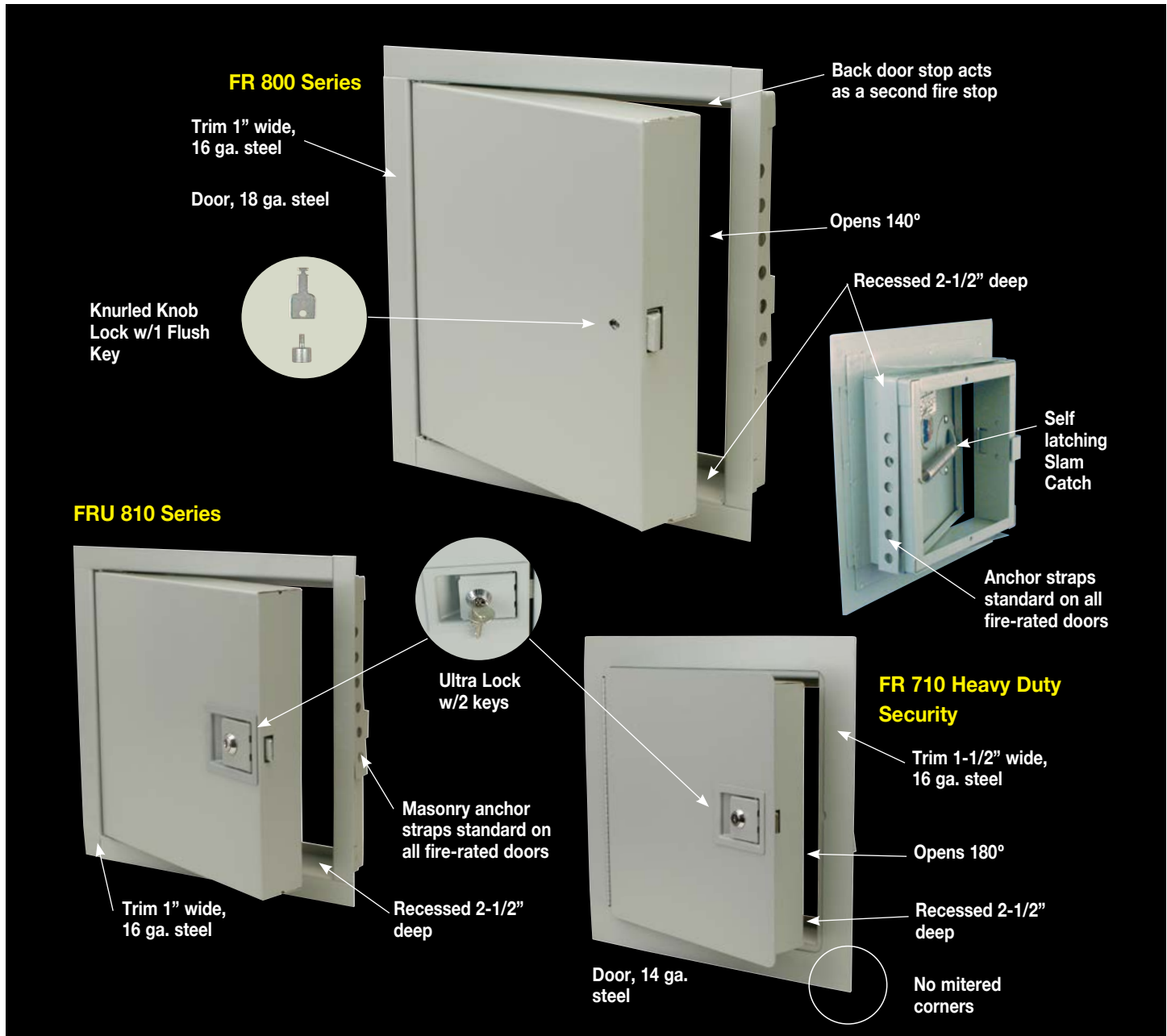
- + WB 151 Key Code Cylinder locks - keyed alike with 2 keys per lock
- + Special sizes available

SECTION DETAIL:



WB Fire Rated Access Doors

See pages 8 - 11



FR 800 and FRU 810 Series

- **FR 800 and FRU 810:** 18 ga. steel door, 16 ga. trim with anchor straps. Largest size acceptable is up to and including 24" x 36"
- **Both:** Latch is a self-closing assist slam catch with interior release spring closure
- **Both:** THERMAFIBER® Industrial Felt insulation for optimal fire protection and superior sound control
- **Both:** Pivot rod hinge allows door opening of 140°
- **FR 800:** Standard Knurled Knob and 1 flush key
- **FRU 810:** ULTRA paddle latch with WB 151 key cylinder lock

FR 710 Heavy Duty Security

- 14 ga. steel door and 16 ga. trim with anchor straps
- Trim is LASER CUT from one sheet of cold rolled steel
- The oversized door panel and the inside door stop acts as a DOUBLE FIRE STOP safety edge
- 1 piece SEMI-CONCEALED piano hinge allows for 180° opening
- Trim has a built in SAFETY EDGE for greater access safety

Standard Accessories:

- Anchor straps standard on all fire-rated doors
- THERMAFIBER® Industrial Felt insulation for optimal fire protection and superior sound control

Optional Accessories:

- Mortise Best Lock or locks by others
- HOT Smoke Seal fire tested: Listed to meet the requirements of standards UL10B, UL10C, UBC 7-2, Part 1 and BS476: 1987 for application to fire rated door assemblies.



WB FR 800 and FRU 810 Ultra Series Standard Access Door

This fire-rated door can be used wherever it is necessary to provide service access to shafts and any other location which must have a fire rating. The FRU 810 Ultra featuring Ultra Lock with 151 key assembly—self-latching keyed cylinder paddle latch. Approved for wall and ceiling use.

Construction Specifications:

Door: 18 ga. steel.

Trim: 16 ga. steel

Finish: Primed grey baked enamel

Latches: FR 800 – knurled knob lock & key, FRU 810 Ultra – Ultra Lock with 151 key assembly

Hinge: Fully concealed, pivot-rod type hinge. Allows opening to 140°

Insulation: 2" thick mineral wool (THERMAFIBER®) contained within door cavity

See fire rating regulations on page 2

Ceiling Installation: To comply with current fire regulation, largest size acceptable is up to and including 24" x 36".

Options: (at additional cost)

- + Stainless Steel Type 304 No. 4 and Type 316 No. 4 Satin Finish brushed
- + Mortise Best Lock and locks by others (FR 800)
- + HOT Smoke Seal* gasket for 4 sides
- + Special sizes available

Standard 800 and 810 Ultra Sizes:

Model No.	Model No.	Door Size W x H	Wall Opening	Slam/ Ultra	Ship Wt Lbs
FR 800	FRU 810	8 x 8	8 1/4 x 8 1/4	1	8
FR 800	FRU 810	10 x 10	10 1/4 x 10 1/4	1	10
FR 800	FRU 810	12 x 12	12 1/4 x 12 1/4	1	12
FR 800	FRU 810	12 x 18	12 1/4 x 18 1/4	1	12
FR 800	FRU 810	12 x 24	12 1/4 x 24 1/4	1	19
FR 800	FRU 810	14 x 14	14 1/4 x 14 1/4	1	14
FR 800	FRU 810	16 x 16	16 1/4 x 16 1/4	1	17
FR 800	FRU 810	18 x 18	18 1/4 x 18 1/4	1	21
FR 800	FRU 810	18 x 24	18 1/4 x 24 1/4	1	26
FR 800	FRU 810	20 x 20	20 1/4 x 20 1/4	1	24
FR 800	FRU 810	20 x 24	20 1/4 x 24 1/4	1	26
FR 800	FRU 810	20 x 30	20 1/4 x 30 1/4	1	32
FR 800	FRU 810	21 x 36	21 1/4 x 36 1/4	1	37
FR 800	FRU 810	22 x 22	22 1/4 x 22 1/4	1	28
FR 800	FRU 810	22 x 24	22 1/4 x 24 1/4	1	29
FR 800	FRU 810	22 x 30	22 1/4 x 30 1/4	2	39
FR 800	FRU 810	22 x 36	22 1/4 x 36 1/4	2	47
FR 800	FRU 810	24 x 24	24 1/4 x 24 1/4	1	32
FR 800	FRU 810	24 x 30	24 1/4 x 30 1/4	2	43
FR 800	FRU 810	24 x 36	24 1/4 x 36 1/4	2	48
FR 800	FRU 810	24 x 48	24 1/4 x 48 1/4	2	62
FR 800	FRU 810	30 x 30	30 1/4 x 30 1/4	2	50
FR 800	FRU 810	32 x 32	32 1/4 x 32 1/4	1	60
FR 800	FRU 810	36 x 36	36 1/4 x 36 1/4	2	67
FR 800	FRU 810	36 x 48	36 1/4 x 48 1/4	2	88
FR 800	FRU 810	48 x 48	48 1/4 x 48 1/4	2	104

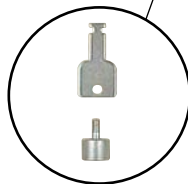


FR 800 Series

Masonry anchor straps standard on all fire-rated doors



FRU 810 Heavy Duty Security Door



Knurled Knob Lock w/1 Flush Key



Optional HOT Smoked Seal* gasket



Ultra Lock w/2 keys



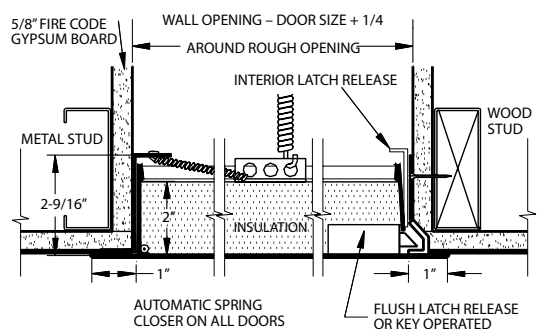
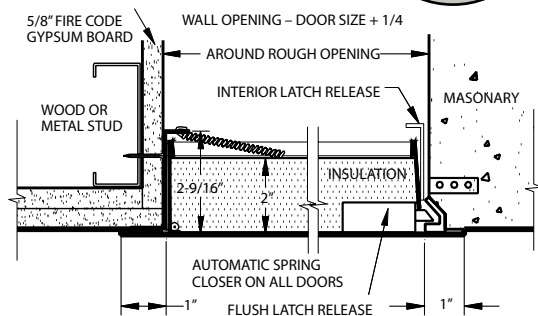
SECTION DETAIL: Fire-rated access door for ceiling and wall installation

NOTE: For fire-rated ceiling access doors, on size 16" x 16" and larger, extra spring supplied with door must be attached from back of door pan to framing or floor above. In horizontal (ceiling) applications door has self-assisted closing.

UL, Northbrook, IL – 1-1/2 hour "B" label 450 degrees F (250 degrees C) maximum temperature rise in 30 minutes for vertical wall installations only. Test file number R-10364. This door may be used in a two hour fire rated wall assembly

Warnock Hersey International; 1 hour fire rated combustible floor and ceiling assembly – Report # WHI-495-PSH-0191

Warnock Hersey International; 3 hour fire rated non-combustible floor and ceiling assembly – Report # WHI-495-PSH-0192



* HOT Smoke Seal fire tested: Listed to meet the requirements of standards UL10B, UL10C, UBC 7-2, Part 1 and BS476: 1987 for application to fire rated door assemblies.

WB FR 710 Heavy Duty Security Access Door

Heavy duty fire-rated is 14 ga. steel door and 16 ga. steel trim with no mitered corners. Has the added benefit of rolled safety edges for operator protection. Used in any wall location which must have a fire rating.

Construction Specifications:

Door: 14 ga. steel

Trim: 16 ga. steel

Finish: Primed grey baked enamel

Latches: Ultra Lock – self-latching keyed cylinder paddle latch (WB 151 key code)

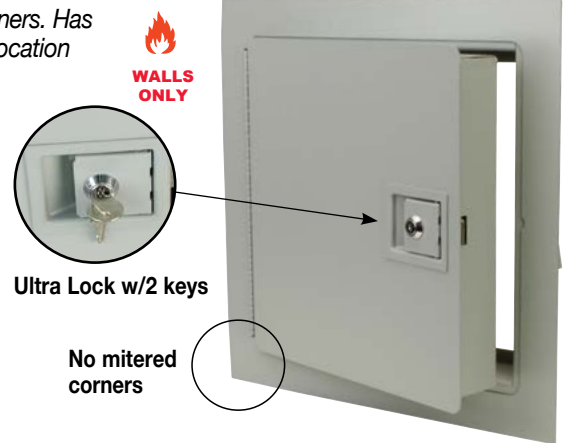
Hinges: Continuous piano hinge allows opening to 180°

Insulation: 2" thick mineral wool (THERMAFIBER®), in between two pieces of 22 ga. steel.

See fire rating regulations on page 2

Options: (at additional cost)

- + Stainless Steel Type 304 No. 4 and Type 316 No. 4 Satin Finish brushed
- + Mortise Best Lock or locks by others
- + HOT Smoke Seal* gasket for 4 sides
- + Zinc Dipped
- + Special sizes available



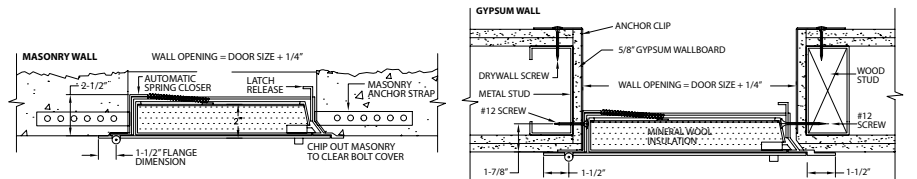
Standard Sizes:

Model No.	Door Size	Inside Wall Opening	Ultra Lock	Ship Wt. Lbs.
FR 710	12 x 12	12 1/4 x 12 1/4	1	17
FR 710	24 x 24	24 1/4 x 24 1/4	1	41

Additional sizes available, see our website.

SECTION DETAIL:

Fire-rated access door installation



* **HOT Smoke Seal fire tested:** Listed to meet the requirements of standards UL10B, UL10C, UBC 7-2, Part 1 and BS476: 1987 for application to fire rated door assemblies.

WB FR DW 820 Series Standard for Drywall

The WB-FR Standard Access Door with a tape in flange allows for a trimless appearance to eliminate visual distraction.

Construction Specifications:

Door: 18 ga. steel

Trim: 16 ga. steel with 1" wide perforated drywall flange of 24 ga. galvanized material for mounting purposes

Finish: Primed grey baked enamel

Latches: Self-latching direct action slam lock, accepts both key and knurled knob

Hinge: Fully concealed, pivot-rod type hinge allows opening to 140°

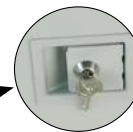
Insulation: 2" thick mineral wool (THERMAFIBER®), contained within door cavity

See fire rating regulations on page 2

Ceiling Installation: Largest size acceptable is up to and including 24" x 36"

Options: (at additional cost)

- + Stainless Steel Type 304 No. 4 and Type 316 No. 4 Satin Finish brushed
- + Ultra Lock with WB 151 Keycode
- + Mortise Best Lock or locks by others
- + HOT Smoke Seal* gasket for 4 sides
- + Special sizes available



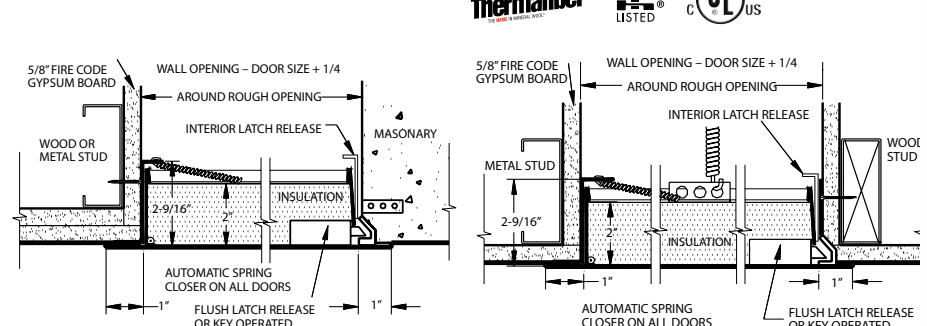
Ultra Lock w/2 keys, FRU DW 830, visit our website for submittal



Standard Sizes:

Model No.	Door Size	Inside Wall Opening	Slam Lock	Ship Wt. Lbs.
FR DW 820	12 x 12	12 1/4 x 12 1/4	1	12
FR DW 820	14 x 14	14 1/4 x 14 1/4	1	14
FR DW 820	16 x 16	16 1/4 x 16 1/4	1	17
FR DW 820	18 x 18	18 1/4 x 18 1/4	1	19
FR DW 820	24 x 24	24 1/4 x 24 1/4	1	30
FR DW 820	24 x 36	24 1/4 x 36 1/4	7	50

SECTION DETAIL:



NOTE: For fire-rated ceiling access doors, on size 16" x 16" and larger, extra spring supplied with door must be attached from back of door pan to framing or floor above. In horizontal (ceiling) applications door has self-assisted closing.

* **HOT Smoke Seal fire tested:** Listed to meet the requirements of standards UL10B, UL10C, UBC 7-2, Part 1 and BS476: 1987 for application to fire rated door assemblies.

WB FR PL 840 Series Standard for Plaster

Construction Specifications:

Door: 18 ga. steel

Trim: 16 ga. steel, 2 1/2 deep, with 3" wide perforated plaster flange of 24 ga. galvanized material.

Finish: Primed grey baked enamel and can be used as a finish or as a prime coat

Latches: Self-latching direct action slam lock will accept both key and knurled knob

Hinge: Fully concealed, pivot-rod type hinge allows opening to 140°

Insulation: 2" thick mineral wool (THERMAFIBER®)

See fire rating regulations on page 2

Ceiling Installation: To comply with current fire regulations, largest size acceptable is up to and including 24" x 36".

Options: (at additional cost)

- + Stainless Steel Type 304 No. 4 and Type 316 No. 4 Satin Finish brushed
- + Mortise Best Lock or locks by others
- + Ultra Lock with WB 151 Keycode
- + HOT Smoke Seal* gasket for 4 sides
- + Special sizes available



Standard Sizes:

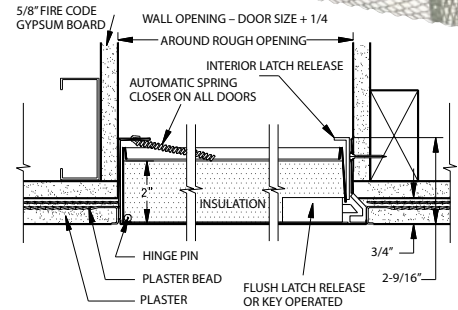
Model No.	Door Size	Inside Wall Opening	Slam Lock	Ship Wt. Lbs.
FR PL 840	12 x 12	12 1/4 x 12 1/4	1	12
FR PL 840	14 x 14	14 1/4 x 14 1/4	1	15
FR PL 840	16 x 16	16 1/4 x 16 1/4	1	18
FR PL 840	18 x 18	18 1/4 x 18 1/4	1	21
FR PL 840	24 x 24	24 1/4 x 24 1/4	1	32
FR PL 840	24 x 36	24 1/4 x 36 1/4	1	50

SECTION DETAIL:



NOTE: For fire-rated ceiling access doors, on size 16" x 16" and larger, extra spring supplied with door must be attached from back of door pan to framing or floor above. In horizontal (ceiling) applications door has self-assisted closing.

* **HOT Smoke Seal fire tested:** Listed to meet the requirements of standards UL10B, UL10C, UBC 7-2, Part 1 and BS476: 1987 for application to fire rated door assemblies.



WB FR 850 Series Upward Swinging Access Door

This is an insulated, fire rated access door approved for inward opening in ceilings. Approved by Warner Hersey International for 3 hours (max. size to 24" x 36"). Self-closing, self-latching, and inside latch release.

Construction Specifications:

Door & Trim: Steel: 16 gauge door, flush to frame, with reinforced edges. Door filled with 2" thick fire insulation. 16 gauge mounting frame with 1" trim

Finish: Steel: 5 stage iron phosphate preparation with prime coat of white baked enamel

Latches: Standard L handle, operable from both sides

Hinge: Concealed with coil spring for dampening

Options: (at additional cost)

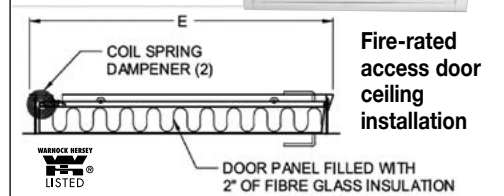
- + Stainless steel 304 No. 4 satin finish



Standard Sizes:

Model No.	Door Size	Inside Wall Opening	L Handle	Ship Wt. Lbs.
WB 850	22 x 36	22 1/2 x 36 1/2	2	47
WB 850	24 x 24	24 1/2 x 24 1/2	1	32
WB 850	24 x 36	24 1/2 x 36 1/2	2	48

SECTION DETAIL:



WB FRB 900 Series Basic Uninsulated Access Door

Standard Sizes:

Model No.	Door Size	Inside Wall Opening	Slam Lock	Ship Wt. Lbs.
FRB 900	8 x 8	8 1/4 x 8 1/4	1	8
FRB 900	10 x 10	10 1/4 x 10 1/4	1	10
FRB 900	12 x 12	12 1/4 x 12 1/4	1	12
FRB 900	14 x 14	14 1/4 x 14 1/4	1	14
FRB 900	16 x 16	16 1/4 x 16 1/4	1	17
FRB 900	18 x 18	18 1/4 x 18 1/4	1	21
FRB 900	20 x 20	20 1/4 x 20 1/4	1	24
FRB 900	22 x 22	22 1/4 x 22 1/4	1	28
FRB 900	22 x 30	22 1/4 x 30 1/4	1	29
FRB 900	22 x 36	22 1/4 x 36 1/4	1	30
FRB 900	24 x 24	24 1/4 x 24 1/4	1	32
FRB 900	24 x 30	24 1/4 x 30 1/4	2	43
FRB 900	24 x 36	24 1/4 x 36 1/4	2	50
FRB 900	30 x 30	30 1/4 x 30 1/4	2	50
FRB 900	36 x 36	36 1/4 x 36 1/4	2	60

Construction Specifications:

Door: 14 ga. steel

Trim: 16 ga. steel

Finish: Primed grey baked enamel

Latches: Self-latching direct action slam lock accepts both key and knurled knob

Hinge: Continuous piano hinge allows opening to 180°

Fire Code: No temperature rise.

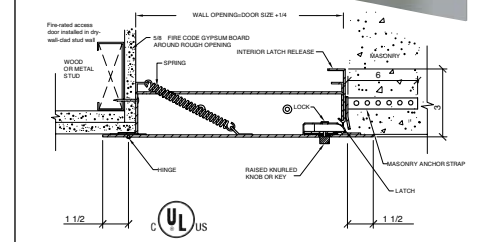
See fire rating regulations on page 2

Options: (at additional cost)

- + Mortise Best Lock or locks by others
- + HOT Smoke Seal* gasket for 4 sides
- + Special sizes available



SECTION DETAIL:



* **HOT Smoke Seal fire tested:** Listed to meet the requirements of standards UL10B, UL10C, UBC 7-2, Part 1 and BS476: 1987 for application to fire rated door assemblies.

WB DW 400 Series for Drywall Access Door

Standard Sizes:

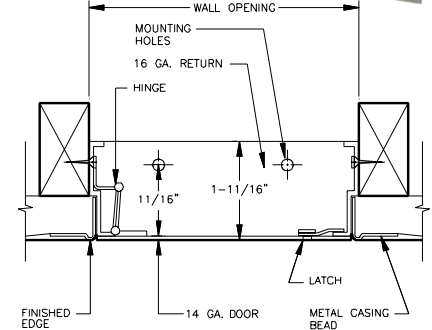
Model No.	Door Size W x H	Inside Wall Opening	Cam Latch	Ship Wt. Lbs.
DW 400	8 x 8	8 1/4 x 8 1/4	1	4
DW 400	10 x 10	10 1/4 x 10 1/4	1	5
DW 400	12 x 12	12 1/4 x 12 1/4	3	7
DW 400	12 x 24	12 1/4 x 24 1/4	2	12
DW 400	14 x 14	14 1/4 x 14 1/4	3	9
DW 400	16 x 16	16 1/4 x 16 1/4	3	11
DW 400	18 x 18	18 1/4 x 18 1/4	3	12
DW 400	20 x 20	20 1/4 x 20 1/4	3	15
DW 400	22 x 22	22 1/4 x 22 1/4	4	18
DW 400	22 x 30	22 1/4 x 30 1/4	4	24
DW 400	22 x 36	22 1/4 x 36 1/4	5	27
DW 400	24 x 24	24 1/4 x 24 1/4	4	20
DW 400	24 x 36	24 1/4 x 36 1/4	5	27
DW 400	24 x 48	24 1/4 x 48 1/4	6	37
DW 400	30 x 30	30 1/4 x 30 1/4	5	29
DW 400	30 x 36	30 1/4 x 36 1/4	5	31
DW 400	36 x 36	36 1/4 x 36 1/4	7	42

Construction Specifications:

Door: 16 ga. steel
Trim: 16 ga. steel, 1" wide 24 ga. galvanized drywall flange
Finish: Primed grey baked enamel
Latches: Flush, stainless steel cam latch
Hinge: Concealed offset hinge on sizes up to and including 24 x 24. Semi-concealed hinge on sizes over 24 x 24
Options: (at additional cost)
 + Stainless Steel Type 304 No. 4 and Type 316 No. 4 Satin Finish brushed
 + WB 151 Key Code Cylinder locks - keyed alike with 2 keys per lock
 + Mortise Best Lock or locks by others
 + Weather resistive neoprene gasket 3 sides. (Closed cell sponge, blend of Neoprene/EPDM/SBR. Meets ASTM D-1056: SCE 41, RE 41, 2A1; substrate UL 94HF-1 recognized)
 + Special sizes available

Fully concealed offset hinges up to 24 x 24

SECTION DETAIL:



WB RDW 410 Series Recessed for Drywall Access Door

Construction Specifications:

Door: 16 ga. steel 5/8" recessed depth to accommodate drywall
Trim: 16 ga. steel, 1" wide 24 ga. galvanized drywall flange
Finish: Primed grey baked enamel

Standard Sizes:

Model No.	Door Size W x H	Inside Wall Opening	Cam Latch	Ship Wt. Lbs.
RDW 410	12 x 12	12 1/4 x 12 1/4	3	6
RDW 410	16 x 16	16 1/4 x 16 1/4	3	12
RDW 410	18 x 18	18 1/4 x 18 1/4	3	14
RDW 410	24 x 24	24 1/4 x 24 1/4	4	21
RDW 410	24 x 36	24 1/4 x 36 1/4	4	24

Latches: Flush, stainless steel cam latch

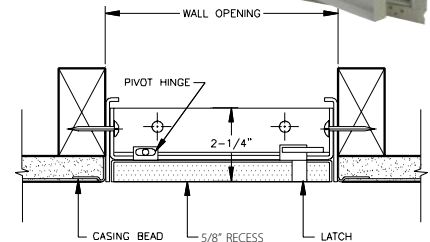
Hinge: Concealed pivot rod

Options: (at additional cost)

- + Stainless Steel Type 304 No. 4 and Type 316 No. 4 Satin Finish brushed
- + WB 151 Key Code cylinder locks - keyed alike with 2 keys per lock
- + RDW 410-2 - 5/8" Gypsum Board installed (Visit our website for sizes and submittals)
- + Weather resistive neoprene gasket 3 sides. (Closed cell sponge, blend of Neoprene/EPDM/SBR. Meets ASTM D-1056: SCE 41, RE 41, 2A1; substrate UL 94HF-1 recognized)

OPTION: RDW 410-2 with 5/8" gypsum board installed, visit our website for submittal.

SECTION DETAIL:



WB PL 500 Series for Plaster Access Door

Designed for all plaster walls and ceilings. The 1/4" safety edge gives the door a strong frame and prevents the plaster from being chipped under normal use.

Standard Sizes:

Model No.	Door Size W x H	Inside Wall Opening	Cam Latch	Ship Wt. Lbs.
PL 500	8 x 8	8 1/4 x 8 1/4	1	4
PL 500	10 x 10	10 1/4 x 10 1/4	1	5
PL 500	12 x 12	12 1/4 x 12 1/4	1	7
PL 500	14 x 14	14 1/4 x 14 1/4	3	10
PL 500	16 x 16	16 1/4 x 16 1/4	3	12
PL 500	18 x 18	18 1/4 x 18 1/4	3	13
PL 500	22 x 22	22 1/4 x 22 1/4	4	18
PL 500	24 x 24	24 1/4 x 24 1/4	4	20
PL 500	24 x 36	24 1/4 x 36 1/4	4	35

Construction Specifications:

Door: 14 ga. steel

Trim: 16 ga. steel, 3" wide expanded 24 ga. galvanized plaster flange. The space from the expanded flange to the 1/4" safety edge of the door will accommodate 3/4" of plaster

Finish: Primed grey baked enamel

Latches: Flush, stainless steel cam latch

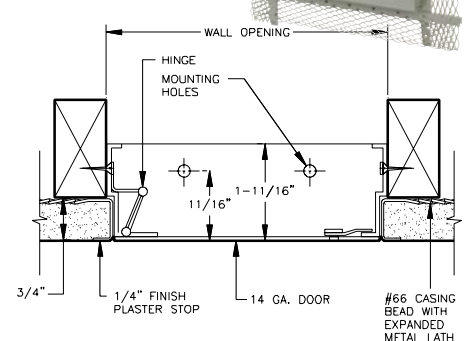
Hinge: Hidden offset hinge on sizes up to and including 24 x 24. Semi-concealed hinge on sizes over 24 x 24

Options: (at additional cost)

- + Stainless Steel Type 304 No. 4 and Type 316 No. 4 Satin Finish brushed
- + WB 151 Key Code Cylinder locks - keyed alike with 2 keys per lock
- + Weather resistive neoprene gasket on 3 sides
- + Special sizes available

Fully concealed offset hinges up to 24 x 24

SECTION DETAIL:



WB AP 510 Series Recessed for Plaster Access Door

A precision door that provides a virtually concealed installation, keeping acoustical surfaces intact while contributing to sound control and better appearance. Recessed to receive plaster up to 1" thick. Plaster covering the door finishes flush with the surrounding field, leaving only the narrow frame edges exposed.

Construction Specifications:

Door: 14 ga. steel recessed 1" and lined with expanded metal lath

Trim: 16 ga. steel with 24 ga. galvanized plaster bead and expanded metal lath

Finish: White baked enamel

Latches: Flush, stainless steel cam latch

Hinge: Continuous stainless steel hinge opens 180°

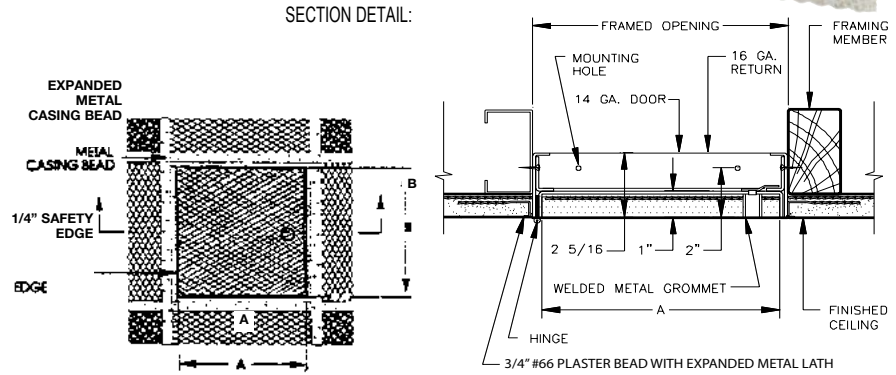
Options: (at additional cost)

- + Key-operated medium barrel cylinder lock
- + Weather resistive neoprene gasket 4 sides
- + Special sizes available



Standard Sizes:

Model No.	Door Size W x H	Inside Wall Opening	Cam Latch	Ship Wt. Lbs.
AP 510	12 x 12	12 1/4 x 12 1/4	3	10
AP 510	18 x 18	18 1/4 x 18 1/4	3	15
AP 510	24 x 24	24 1/4 x 24 1/4	3	28
AP 510	24 x 36	24 1/4 x 36 1/4	3	35



WB DWAL 412 Aluminum with Fully Detachable Hatch

Superior engineering and innovative design for aesthetically concealed, fully detachable drywall panel

Construction Specifications:

- Consists of a welded aluminum frame and is available with or without 1/2" or 5/8" inlaid drywall and two latches, for ceilings
- Outer and an inner frame assembly consists of high grade aluminum bonded with a special welding process.
- 12" x 12" and up access panels are equipped with a safety-system to prevent accidental opening. Must be reattached after each opening
- Reveal of 1/16" of an inch is visible between the outer frame and door hatch

- Concealed snap locks open the access panel when pressure is applied to the spring loaded latch side

Standard Features:

- Easy assembly
- Solid aluminum frame
- Flush installation in ceilings and walls
- Available in moisture resistant, mildew resistant drywall

Options: (at additional cost)

- + Cylinder Key available

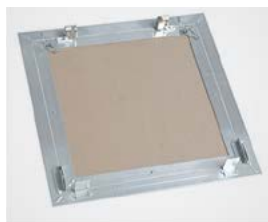
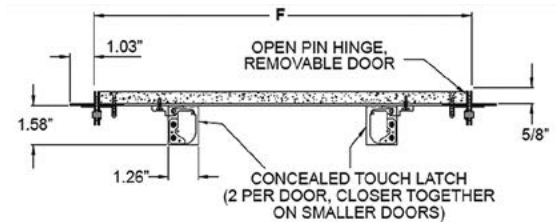
WALLS & CEILINGS



Standard Sizes:

Model No.	Door Size	Inside Wall Opening	Ship Wt. Lbs.
DWAL 412	8 x 8	8 3/8 x 8 3/8	12
DWAL 412	12 x 12	12 3/8 x 12 3/8	14
DWAL 412	16 x 16	16 3/8 x 16 3/8	17
DWAL 412	18 x 18	18 3/8 x 18 3/8	19
DWAL 412	20 x 20	20 3/8 x 20 3/8	25
DWAL 412	24 x 24	24 3/8 x 24 3/8	34
DWAL 412	24 x 36	24 3/8 x 36 3/8	41

Custom sizes available upon request.



WB DWAL 411 Aluminum Panel with Fixed Hinges

Superior engineering and innovative design for aesthetically concealed, drywall panel with fixed hinges

Construction Specifications:

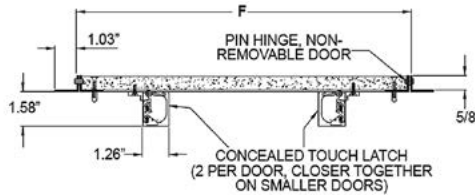
- Consists of a welded aluminum frame and is available with or without 1/2" or 5/8" inlaid drywall and two latches
- Outer and an inner frame assembly consists of high grade aluminum bonded with a special welding process.
- 12" x 12" and up access panels are equipped with a safety-system to prevent accidental opening. Must be reattached after each opening
- Reveal of 1/16" of an inch is visible between the outer frame and door hatch
- Concealed snap locks open the access panel when pressure is applied to the spring loaded latch side

Standard Features:

- Easy assembly
- Solid aluminum frame
- Flush installation in ceilings and walls
- Available in moisture resistant, mildew resistant drywall

Options: (at additional cost)

- + Cylinder Key available



Standard Sizes:

Model No.	Door Size	Inside Wall Opening	Ship Wt. Lbs.
DWAL 411	8 x 8	8 3/8 x 8 3/8	12
DWAL 411	12 x 12	12 3/8 x 12 3/8	14
DWAL 411	16 x 16	16 3/8 x 16 3/8	17
DWAL 411	18 x 18	18 3/8 x 18 3/8	19
DWAL 411	20 x 20	20 3/8 x 20 3/8	25
DWAL 411	24 x 24	24 3/8 x 24 3/8	34
DWAL 411	24 x 36	24 3/8 x 36 3/8	41

Custom sizes available upon request.

WB AT 600 Series for Acoustical Tile Access Door

A precision door that provides a virtually concealed installation, keeping acoustical surfaces intact while contributing to sound control and better appearance.

Construction Specifications:

Door: 16 ga. steel, recessed to meet sound barriers

Trim: 16 ga. steel

Finish: White baked enamel

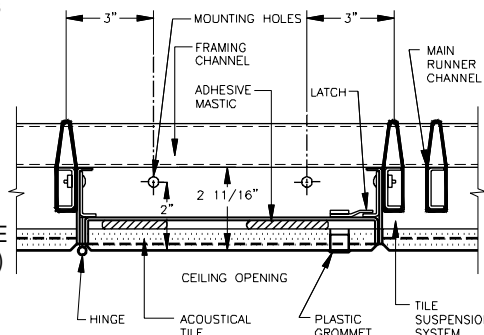
Latches: Flush, stainless steel cam latch

Hinge: Continuous piano hinge opens 180°

Options: (at additional cost)

- + Key operated medium barrel cylinder lock
- + Gasket 4 sides (Closed cell sponge, blend of Neoprene/EPDM/SBR. Meets ASTM D-1056: SCE 41, RE 41, 2A1; substrate UL 94HF-1 recognized)
- + Special sizes available

SECTION DETAIL:



Standard Sizes:

Model No.	Door Size W x H	Inside Wall Opening	Cam Latch	Ship Wt. Lbs.
AT 600	12 x 12	12 1/4 x 12 1/4	1	8
AT 600	18 x 18	18 1/4 x 18 1/4	3	15
AT 600	24 x 24	24 1/4 x 24 1/4	3	28
AT 600	24 x 36	24 1/4 x 36 1/4	3	32

WB ATR 610 Series Ceiling Access Door

A suspended drywall ceiling application that forms part of a fire resistive floor-ceiling assembly. The offset design of the return frame along with a recessed panel to receive double layers of 5/8" Type X Gypsum board keeps the continuity of the fire resistive quality. Door has not been tested.



SCANINFO



Construction Specifications:

Door: 16 ga. steel, recessed to accept two 5/8" Type X Gypsum board to meet fire resistive codes

Trim: 16 ga. steel

Finish: White baked enamel

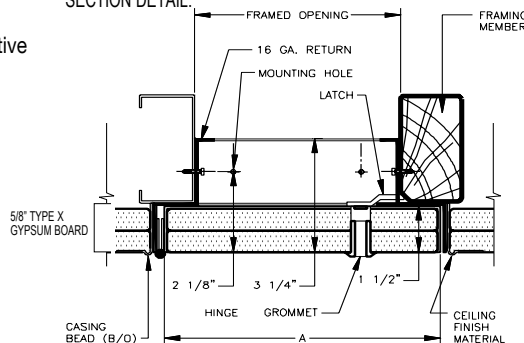
Latches: Flush stainless steel cam latch

Hinge: Continuous piano hinge opens 180°

Options: (at additional cost)

- + Key operated long barrel cylinder lock
- + Two 5/8" Type X Gypsum Board installed (ATR 610-2, visit our website for sizes and submittals)
- + Hot Smoke seal gasket 4 sides
- + Special sizes available

SECTION DETAIL:



ATR 610-2 with two 5/8" Type X Gypsum board installed into door, visit our website for submittal.

Standard Sizes:

Model No.	Door Size W x H	Inside Wall Opening	Cam Latch	Ship Wt. Lbs.
ATR 610	12 x 12	10 3/4 x 10 3/4	1	8
ATR 610	18 x 18	16 3/4 x 16 3/4	1	15
ATR 610	24 x 24	22 3/4 x 22 3/4	3	21

WB MD SEC 1000 Series Medium Security Access Door

This door assures medium security where necessary under institutional conditions.

Standard Sizes:

Model No.	Door Size	Inside Wall Opening	Tamper Proof Screws	Ship Wt. Lbs.
MD SEC 1000	12 x 12	12 x 12 1/4	3	22
MD SEC 1000	16 x 16	16 1/4 x 16 1/4	3	31
MD SEC 1000	18 x 18	18 1/4 x 18 1/4	3	36
MD SEC 1000	24 x 24	24 1/4 x 24 1/4	4	52
MD SEC 1000	24 x 36	24 1/4 x 36 1/4	4	73
MD SEC 1000	36 x 36	36 1/4 x 36 1/4	5	103
WB-23	Snake eye screwdriver			

A snake eye screwdriver is required to open door

Construction Specifications:

Door: 12 ga. steel

Trim: 16 ga. steel

Finish: Primed grey baked enamel

Lock: Counter sunk tamperproof screws

Hinge: Semi-concealed piano hinge

Options: (at additional cost)

+ Stainless Steel Type 304 No. 4 and

Type 316 No. 4 Satin Finish brushed

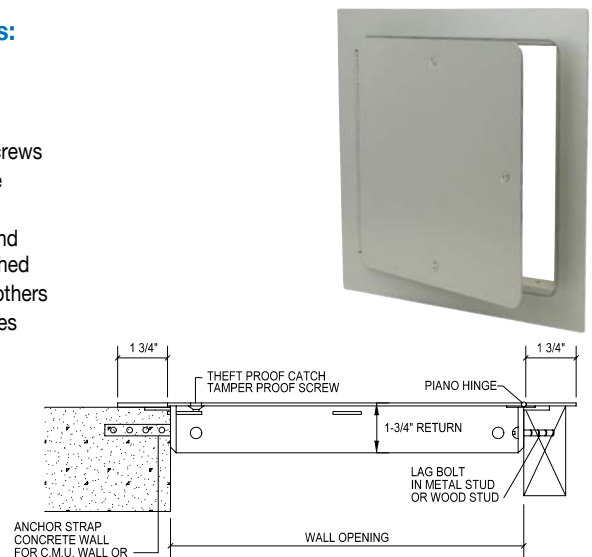
+ Mortise Best Lock and locks by others

+ Weather resistive neoprene 4 sides

+ Special sizes available



WB-23



WB HG SEC 1100 Series High Security Access Door

This door is designed to be placed where maximum security is of great importance.

Standard Sizes:

Model No.	Door Size	Inside Wall Opening	Ship Wt. Lbs.
HG SEC 1100	12 x 12	12 1/4 x 12 1/4	46
HG SEC 1100	16 x 16	16 1/4 x 16 1/4	56
HG SEC 1100	18 x 18	18 1/4 x 18 1/4	62
HG SEC 1100	24 x 24	24 1/4 x 24 1/4	82
HG SEC 1100	24 x 36	24 1/4 x 36 1/4	82
HG SEC 1100	36 x 36	36 1/4 x 36 1/4	82
WB-15	Detention Lock		
WB-16	Paracentric Key		

Construction Specifications:

Door: 10 ga. steel

Trim: 10 ga. steel with 2" x 2" x 3 1/16" angle

Finish: Primed grey baked enamel

Lock: Prepped for detention lock

Hinges: Heavy duty type butt hinges welded to surround and door. Allows opening to 180°

Options: (at additional cost)

+ Stainless Steel Type 304 No. 4 and

Type 316 No. 4 Satin Finish brushed

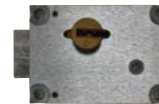
+ WB-15 Detention lock and

WB-16 Paracentric key

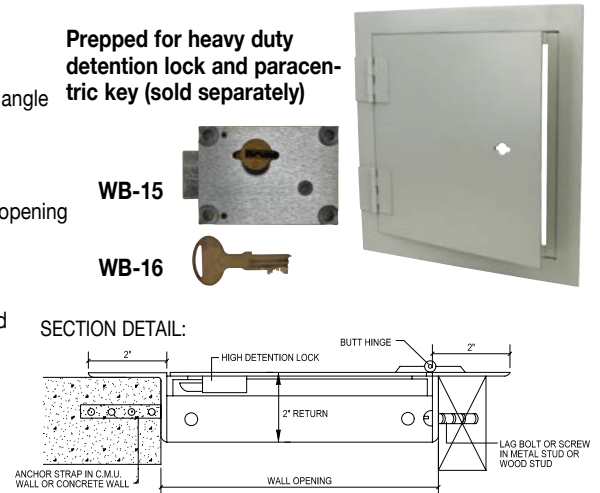
+ Special sizes available

Prepped for heavy duty detention lock and paracentric key (sold separately)

WB-15



WB-16



WB TB 1210 Series Aluminum Drop-In Ceiling Access Door

This unique access door comes in aluminum, white baked enamel finish, and features hassle-free installation. It simply drops into the 1" T-Bar ceiling with ease. Includes mounting screws for safe and secure installation.

Construction Specifications:

Door & Trim: .063 Aluminum

Finish: White baked enamel

Latches: Flush, stainless steel cam latch

Hinge: Continuous piano hinge

Options: (at additional cost)

+ WB 151 Key Code Cylinder locks-keyed alike with 2 keys per lock

Standard Sizes:

Model No.	Door Size	Inside Wall Opening	Hinges	Cam Latch	Ship Wt. Lbs.
TB 1210	24 x 24	23 3/4 x 23 3/4	1	4	14
TB 1210	24 x 48	23 3/4 x 47 3/4	1	5	30

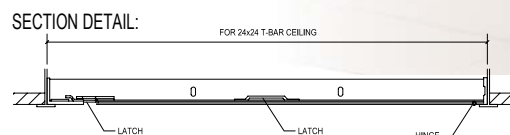
BEFORE



AFTER



Patent Pending



WB EXT 1350 ULTRA Series Exterior Access Door

The one of a kind exterior access door is zinc dipped, insulated with 1" GreenGuard and includes two types of gasket. Weather resistive open celled microcellular polyurethane gasket and closed cell neoprene sponge SC42 W/PSA stripping gasket on inside for outdoor applications (certain saltwater areas might not be compatible).

WALLS ONLY



Construction Specifications:

Door: 16 ga. steel

Trim: 16 ga. steel

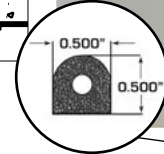
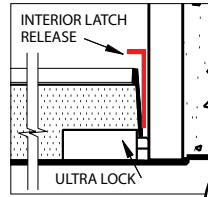
Finish: Zinc dipped primed baked grey enamel

Latches: Ultra paddle latch lock with 151 key-code, and interior latch release

Hinges: Continuous piano hinge.

Insulation: Double layer of 1" GreenGuard® Extruded Polystyrene insulation board, with R-Value @ 75°F Mean 5.0 x 2, FM approved*

Gasket: See illustration



Microcellular polyurethane gasket

Neoprene sponge SC42 W/PSA stripping gasket applied on back inside edge

Standard Sizes:

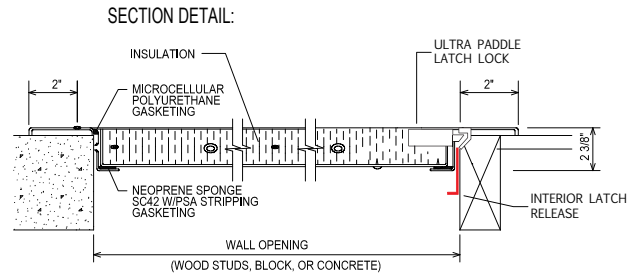
Model No.	Door Size W x H	Inside Wall Opening	Ship Wt. Lbs.
EXT 1350	12 x 12	12 1/4 x 12 1/4	27
EXT 1350	14 x 14	14 1/4 x 14 1/4	30
EXT 1350	16 x 16	16 1/4 x 16 1/4	35
EXT 1350	18 x 18	18 1/4 x 18 1/4	40
EXT 1350	22 x 30	22 1/4 x 30 1/4	45
EXT 1350	22 x 36	22 1/4 x 36 1/4	50
EXT 1350	24 x 24	24 1/4 x 24 1/4	55
EXT 1350	24 x 36	24 1/4 x 36 1/4	67
EXT 1350	30 x 36	30 1/4 x 36 1/4	79
EXT 1350	36 x 36	36 1/4 x 36 1/4	90

EXT 1300 Series with T-Handle (no interior release)

Visit our website for submittals.



SCANINFO



WB ADWT Airtight/Watertight Access Door

The WB ADWT is a flush access door that has been tested for air infiltration and water penetration. The Door and trim are fully welded and gasketed. This access door is ideal for use in laboratories, clean rooms, operating rooms, etc. where an airtight/watertight seal is required.

Construction Specifications:

Door & Trim: 16 ga. steel

Finish: 5 stage iron phosphate with prime coat of white alkyd baking enamel

Latch: Stainless Steel phillips head screws standard

Hinge: Continuous exposed stainless steel piano hinge

Air infiltration: less than 0.01 cfm/sq foot-ASTM E 283

Water Penetration: no leakage at 15.05 psf-ASTM E

Gasket: Continuous Bulb trim Gasket

Options: (at additional cost)

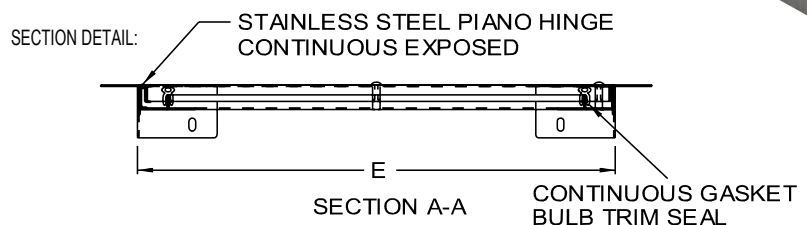
- + Type 304 stainless steel No. 4 satin finish
- + Stainless steel allen head screws
- + Stainless steel philips head screws

Optional type 304 stainless steel #4 satin finish, pictured



Standard Sizes:

Model No.	Door Size	Inside Wall Opening	Ship Wt. Lbs.
ADWT	12x12	12-3/8x12-3/8	8
ADWT	18x18	18-3/8x18-3/8	15
ADWT	24x24	24-3/8x24-3/8	22
ADWT	30x30	30-3/8x30-3/8	32
ADWT	30x48	30-3/8x48-3/8	44



WB MAP 1800 Plastic Reversible & MAP 1850 Hinged Access Door

These high impact ABS plastic reversible panels with UV stabilizers are made with precision dies for perfect fit of door and trim. Surface is a cosmetically acceptable textured surface.

Construction Specifications:

Door & Trim: High impact ABS plastic with UV stabilizers. Door is locked to return trim with snap friction catch. All doors have removable panels

Finish: White textured finish

Installation: Adhesive caulking recommended

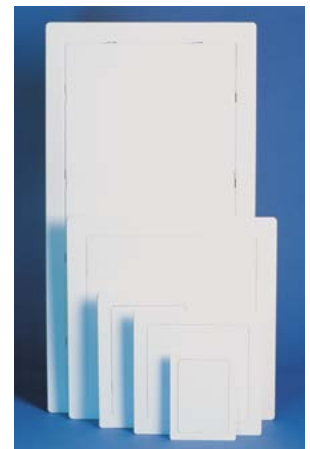
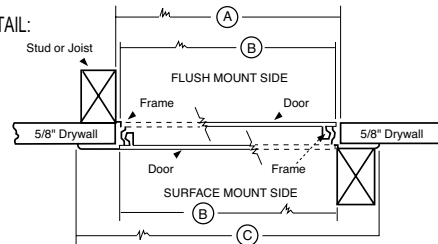
Standard Sizes:

Model No.	Door Size W x H	Wall Opening	Frame Size to Outer Flange
MAP 1800	4 x 6	4 3/8 x 6 3/8	5 1/4 x 7 1/4
MAP 1800	6 x 9	6 3/8 x 9 3/8	8 1/4 x 11 1/4
MAP 1800	8 x 8	8 3/8 x 8 3/8	10 1/4 x 10 1/4
MAP 1800	14 x 14	14 3/8 x 14 3/8	17 x 17
MAP 1800	14 x 29	14 3/8 x 29 3/8	17 x 32 1/4

Knockouts: For plumbing and electrical applications the door has designated drill points and knockouts for easy wiring installation

Tile Applications: Door is tile-able, use flexible adhesive and grout. Adjust frame height to finished wall

SECTION DETAIL:



MAP 1800



MAP 1850

MAP 1850 Hinged Flush Non-Rated Plastic Access Door

MAP 1850 Hinged door is completely removable from the frame and fits tightly with snap latches. Finish can be left as is or painted to match the surrounding areas. Easy to install by applying caulking adhesive to the back of the frame and pressing into place.

Standard Sizes:

Model No.	Door Size W x H	Wall Opening
MAP 1850	12 x 12	12 1/4 x 12 1/4
MAP 1850	22 x 22	22 1/4 x 22 1/4

Construction Specifications:

Door & Trim: 1/8" high impact styrene plastic with U.V. stabilizers Flush to frame — rounded safety corners, one piece outside flange with 3/4" deep mounting frame

Finish: White, textured exposed surfaces

Latches: Snap latches allow door to fit tightly within frame

Hinge: Concealed

WB GY 3000 and 3100 Series Lightweight Gypsum Ceiling Access Panel

Lightweight, features exceptional definition, high compressive strength, zero mold and fungus growth. Moisture resistant, no warping, cracking or sagging. The WB 3100 series has the hinged option.

GY 3000



Construction Specifications:

Door & Trim: 5/8" lightweight Gypsum, drop in door

Finish: Unpainted natural grey Gypsum

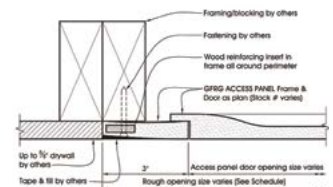
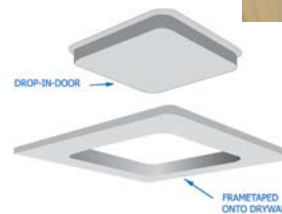
Ceiling Installation: Access panels installed using standard supplies, screws #6 bugle head. Joints filled with standard tape and joint compound, then sanded. Has edge thickness to accommodate 5/8" drywall.

Shimming may be required if adjacent material is not 5/8". Substrate material is determined by job site conditions. Panel does not require framing, but can be connected to adjacent drywall using blocks or studs.

Options: (at additional cost)
+ Hinged (GY 3100, visit our website for sizes and submittals)

Standard Sizes:

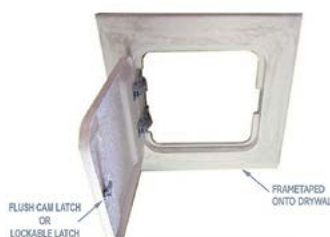
Model No.	Door Size W x H	Wall Opening	Shipping Wt Lbs.
GY 3000	12 x 12	18 x 18	5
GY 3000	18 x 18	24 x 24	10
GY 3000	24 x 24	30 x 30	15



GY 3100 hinged option

Standard Sizes:

Model No.	Door Size W x H	Wall Opening	Shipping Wt Lbs.
GY 3100	12 x 12	18 x 18	5
GY 3100	18 x 18	24 x 24	10
GY 3100	24 x 24	30 x 30	15



GY 3100



WB CAD 1400/HAD 1410 Series True Fit Duct Access Doors

This convenient, economical access door is easy to install with notched edges, to provide for a quick and simple installation. Doors are available in either hinged or double cam construction (item is union labeled).

CAD 1400 Double Cam Standard Sizes:

Model No.	Door Size W x H	Frame Neck O.D	Cam ADC-D	Ship Wt. Lbs.
CAD 1400	6 x 6	4 7/8 x 4 7/8	2	1
CAD 1400	8 x 8	6 7/8 x 6 7/8	2	2
CAD 1400	10 x 10	8 7/8 x 8 7/8	2	3
CAD 1400	12 x 12	10 7/8 x 10 7/8	2	4
CAD 1400	14 x 14	12 7/8 x 12 7/8	2	5
CAD 1400	16 x 16	14 7/8 x 14 7/8	4	6
CAD 1400	18 x 18	16 7/8 x 16 7/8	4	7
CAD 1400	24 x 24	22 7/8 x 22 7/8	4	12

HAD 1410 Hinged Standard Sizes:

Model No.	Door Size W x H	Frame Neck O.D	Ship Wt. Lbs.
HAD 1410	6 x 6	4 7/8 x 4 7/8	1
HAD 1410	8 x 8	6 7/8 x 6 7/8	2
HAD 1410	10 x 10	8 7/8 x 8 7/8	3
HAD 1410	12 x 12	10 7/8 x 10 7/8	4
HAD 1410	14 x 14	12 7/8 x 12 7/8	5
HAD 1410	16 x 16	14 7/8 x 14 7/8	6
HAD 1410	18 x 18	16 7/8 x 16 7/8	7
HAD 1410	24 x 24	22 7/8 x 22 7/8	12

Construction Specifications:

Door & Trim: 26 gauge galvanized steel

Finish: Mill finish

Latch: Cam latches; hinged doors over 14" x 14" have 3 cam latches, double cam doors over 14" x 14" have 4 cam latches (one on each of 4 sides)

Hinge: HAD 1410: Continuous steel hinge. CAD 1400: No hinge

Insulation: 1" insulation

Gasket: 1/8" thick x 1/2" wide door-to-frame gasket

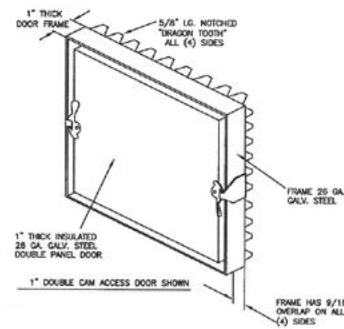
CAD 1400 w/Cam Latches



HAD 1410 w/Hinge



SECTION DETAIL:



WB WIN 1700 Series Insulated Walk-In Duct Door

Construction Specifications:

Door: 20 ga. galvanized steel, double wall

Trim: 16 ga. galvanized steel

Latch: 2 exterior latches with interior handles

Insulation: 1" thick 3lb. density insulation

Gasket: 1/2" wide neoprene closed cell door to frame gasket

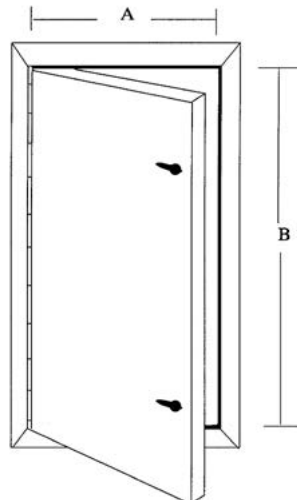
Options: (at additional cost)

- + Stainless Steel Type 316 No. 4 Satin Finish brushed
- + 12" x 12" View Port
- + Extra latches

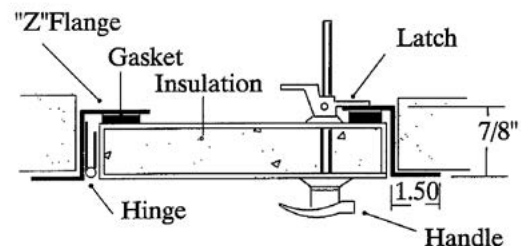
Standard Sizes:

Model No.	Opening* W x H
WIN 1700	18 x 36
WIN 1700	18 x 48
WIN 1700	24 x 36
WIN 1700	24 x 48
WIN 1700	24 x 54
WIN 1700	24 x 60
WIN 1700	24 x 66
WIN 1700	24 x 72
WIN 1700	30 x 36
WIN 1700	30 x 48
WIN 1700	30 x 54
WIN 1700	30 x 60
WIN 1700	30 x 66
WIN 1700	30 x 72

*Door size is 1/4" smaller from opening.
All sizes available only by special order

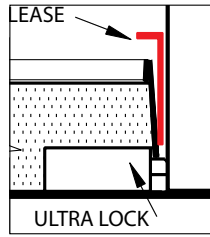


SECTION DETAIL:



Access Doors Accessories (at additional cost)

WB-5*



Section detail drawing for interior latch release

- **WB-5*** Paddle latch w/151 key



- **WB-6** Slam catch with key and knurled knob for FR Standard door



WB-13



- **13** Mortise body, specify with core or without core, for most access doors*

*Available Best Lock or by others

WB-14

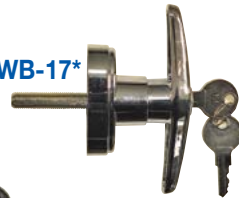


- **WB-14** Mortise lock with slam catch and interior release

WB-9*



WB-17*



WB-18*



WB-10A



- **WB-9*** Standard cylinder lock (151 Keycode)

- **WB-10A** Medium barrel cylinder lock, for 1" door depth

- **WB-17*** T type handle with cylinder lock (151 Keycode)

- **WB-18*** L type handle with cylinder lock (151 Keycode)

WB-15



WB-16



- **WB-15** Heavy duty detention lock**

- **WB-16** Paracentric key

*All keyed alike with 151 code

WB-22 A&B



WB-11B



WB-11A



WB-23



- **WB-11A** Tamper proof torx screws

- **WB-11B** Tamper proof snake-eye screws

- **WB-22 A** Medium Torx screwdriver T-25

- **WB-22 B** Regular Torx screwdriver T-27

- **WB-23** Snake-eye screwdriver



Prepped for heavy duty detention lock

**Available detention lock or by others

WB Roof and Floor Access Division

See pages 20 - 25

WB Roof Hatch

This newly re-designed WB Roof Hatch offers improved features such as a heavier duty lock and handle assembly, heavy gauge, weather-resistant gasket and fully concealed hinge hardware located on the interior making rust unlikely. Pre-lubricated compression springs, encased in zinc-plated telescopic tubes held in place by 3-sided welded brackets. Durable and re-coatable gray primer finish comes standard.

Construction Specifications:

- 14 gauge galvanized steel
- Durable re-coatable gray primer finish
- Highly visible safety caution striping
- Heavy duty lock and handle
- Weather resistant gasket
- Available in aluminum
- Finest quality and workmanship

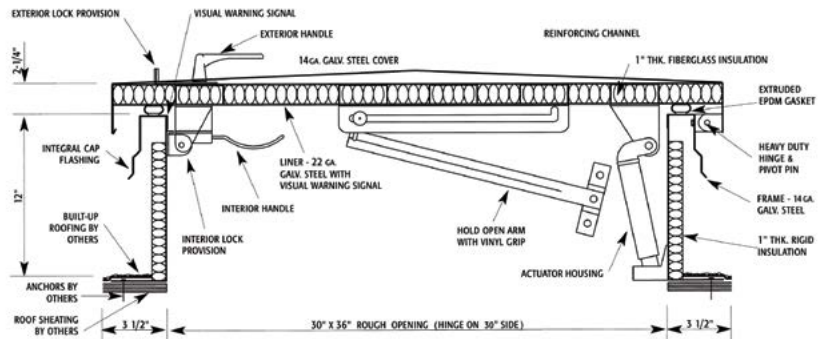


Standard Sizes:

Model No.	Size (inches) W x L	Ship Wt. Lbs.
WB RH 36 x 30 Steel	36 x 30	151
WB RH 30 x 54 Steel	30 x 54	198
WB RH 30 x 96 Steel	30 x 96	450
WB RH 36 x 36 Steel	36 x 36	167
WB RH 48 x 48 Steel	48 x 48	275

Aluminum available upon request.

SECTION DETAIL:

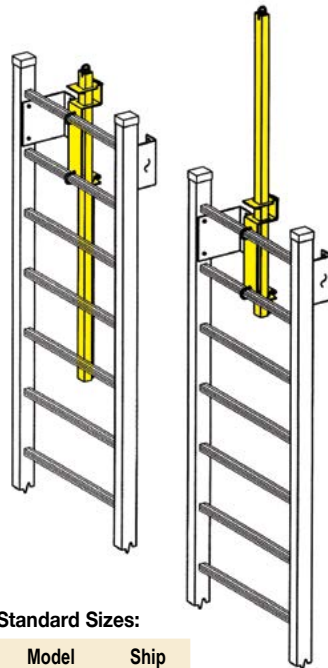


WB SP Safety Post

Provide easier, safer ladder access through roof hatches, floor, vault, and sidewalk doors, and manholes.

This telescoping post permanently mounts to the top two rungs of any fixed ladder, providing a positive hand-hold and enabling the user to enter or exit an opening in an upright and balanced position.

- Adjustable mounting hardware accommodates virtually any ladder rung size or spacing.
- Telescoping design is spring balanced for ease of operation.
- Automatically locks in the fully raised position to provide the user with a firm and steady hand-hold.
- Handy release lever allows the post to be easily lowered to its retracted position.



Standard Sizes:

Model No.	Ship Wt. Lbs.
WB SP	24

WB 6000 Roof Hatch Railing System

Construction Specifications:

Finish: Galvanized (hot dipped).

Chain system: 3/16" proof coil ASTM specification, zinc plated with quick link and "S" hook

Self closing gate: (optional to chain) Manufacturer's standard spring or gravity operated

Pipe plug: Weather and light resistant for pipe ends

Bolts: Hex head bolts 3/8", grade Z, zinc plated with manufacturer's standard washers inside and outside

Railing fittings: Manufacturer's standard cast fittings, galvanized
Sealant for brackets: Manufacturer's standard

Options: (at additional cost)
 + Self closing gate
 + Chain system

Shown with optional gate

Standard Sizes:

Model No.	Size (inches) W x L	Ship Wt. Lbs.
WB-RHSR-SS	36 X 30	87
WB-RHSR-AL	36 X 30	35
WB-RHSR-FB	30 X 54	-



WB APS 8100 Aluminum Floor Hatch

This floor hatch is flush installation in new cast-in-concrete applications, reinforced for 300 pounds per square foot (psf) loading.

Construction Specifications:

Cover: 1/4" (4.8mm) aluminum diamond plate cover reinforced for 300 psf live load. Equipped with cast aluminum flush lifting handle and 316 stainless steel hold-open arm with red vinyl grip that automatically keeps the cover in its open/upright position

Frame: Extruded aluminum with integral anchor flange and door seat on all four sides

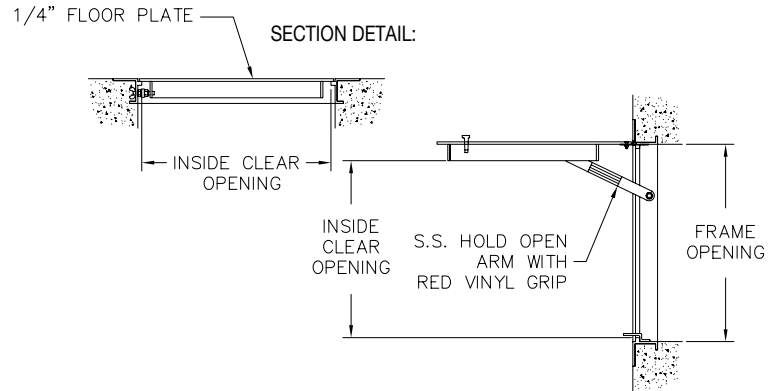
Finish: Aluminum cover and frame have mill finish which is protected during shipping and instal-

lation by an attached adhesive-backed vinyl material

Hardware: 316 stainless steel hinges and tamper resistant bolts/lock nuts

Security: Includes an exposed staple for user-supplied padlock

Installation: Installation shall be in accordance with the manufacturer's instructions



Standard Sizes:

Model No.	Size (inches) W x L	Ship Wt. Lbs.
WB APS 8100	24 x 24	40
WB APS 8100	24 x 30	50
WB APS 8100	24 x 36	55
WB APS 8100	30 x 30	55
WB APS 8100	30 x 48	80
WB APS 8100	36 x 30	65
WB APS 8100	36 x 36	75
WB APS 8100	36 x 48	90
WB APS 8100	42 x 42	95

* Steel available upon request.

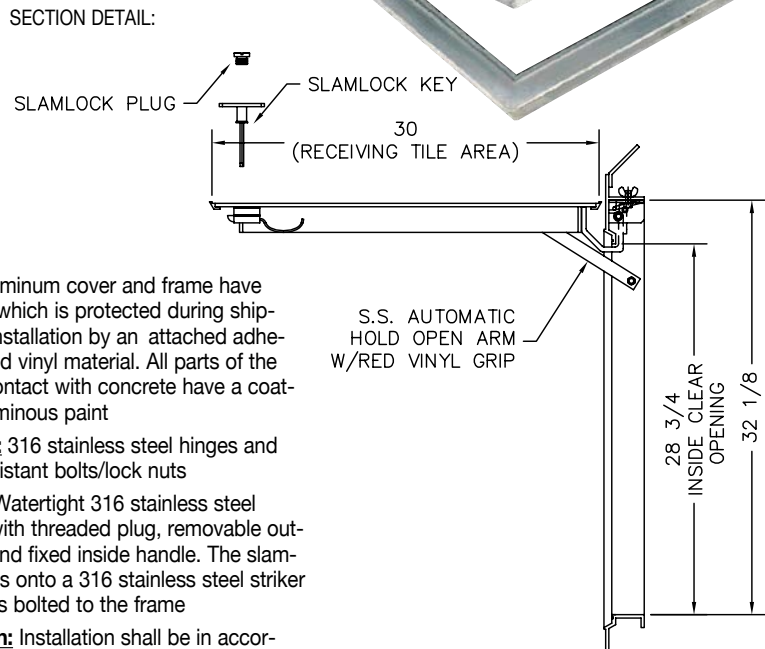
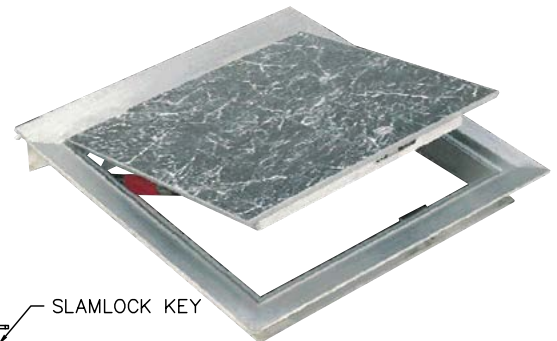
WB R-APS 8150 Aluminum Floor Hatch

For sidewalks, floor and utility applications where rainwater control is a requirement.

Construction Specifications:

Cover: 1/4" (4.8mm) aluminum smooth plate cover reinforced for 300 psf live load and a 1/8" [3mm] recess to receive tile or carpet. Both cover and frame have a metal lip around the entire perimeter defining the recess. Equipped with a 316 stainless steel hold open arm with red vinyl grip that automatically keeps the cover in its upright, open position

Frame: Extruded aluminum with an integral door seat on all four sides which has a groove to receive a cushion for noise dampening



Standard Sizes:

Model No.	Size (inches) W x L	Ship Wt. Lbs.
R-APS 8150	24 x 24	45
R-APS 8150	24 x 30	50
R-APS 8150	24 x 36	60
R-APS 8150	30 x 30	60
R-APS 8150	30 x 36	70
R-APS 8150	30 x 48	85
R-APS 8150	36 x 36	75
R-APS 8150	36 x 48	95
R-APS 8150	42 x 42	95

* Steel available upon request.

Finish: Aluminum cover and frame have mill finish which is protected during shipping and installation by an attached adhesive-backed vinyl material. All parts of the frame in contact with concrete have a coating of bituminous paint

Hardware: 316 stainless steel hinges and tamper resistant bolts/lock nuts

Security: Watertight 316 stainless steel slamlock with threaded plug, removable outside key, and fixed inside handle. The slamlock latches onto a 316 stainless steel striker plate that is bolted to the frame

Installation: Installation shall be in accordance with the manufacturer's instructions

WB TPS 8300 Aluminum Floor Hatch

For sidewalks, floor and utility applications where rainwater control is a requirement.

Construction Specifications:

Cover: 1/4" aluminum diamond plate equipped with a flushlifting handle and 316 stainless steel hold-open arm with red vinyl grip that automatically locks the cover in the 90 degree open position

Frame: Extruded aluminum trough 1-1/2" threaded drain coupling, odor-reducing gasket, and continuous anchor flange on all four sides

Material/Finish: Aluminum cover and trim have mill finish

Standard Sizes:

Model No.	Size (inches) W x L	Ship Wt. Lbs.
WB TPS 8300	24 x 24	60
WB TPS 8300	24 x 30	70
WB TPS 8300	24 x 36	75
WB TPS 8300	30 x 30	80
WB TPS 8300	30 x 36	90
WB TPS 8300	36 x 36	100
WB TPS 8300	36 x 48	120
WB TPS 8300	42 x 42	125

* Steel available upon request.

Latch: Two-point slam latch

Hinge: 316 stainless steel hinges with 316 stainless steel tamper-resistant bolts/locknuts

Security: Includes an exposed staple for user-supplied padlock

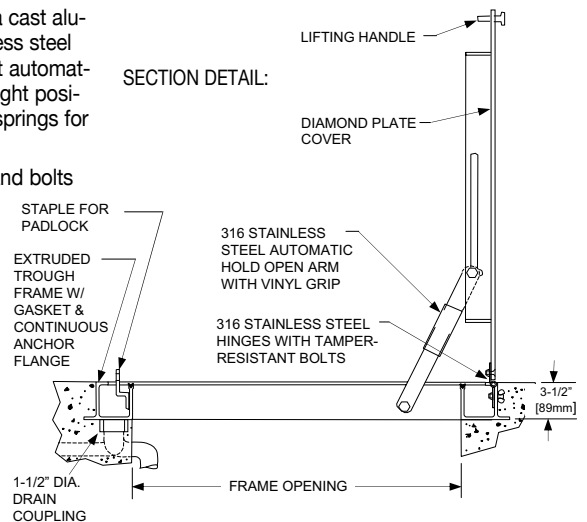
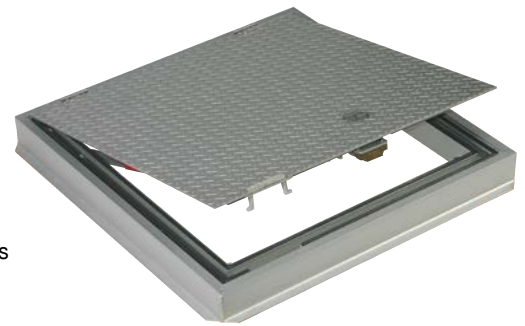
Automatic Hold-open And Closing

Mechanism: Door is equipped with a cast aluminum flush lifting handle, 316 stainless steel hold-open arm with red vinyl grip that automatically keeps the cover in its open/upright position, and vertical open compression springs for lift assist

Hardware: 316 Stainless steel nuts and bolts

Loading: 300 lbs per sq. ft.

Installation: Installation shall be in accordance with the manufacturer's instructions



WB R-TPS 8400 Recessed Floor Hatch

Recessed, trough frame, pedestrian, single cover, flush installation in new cast-in-concrete applications, reinforced for 300 pounds per square foot (psf) loading

Construction Specifications:

Cover: 1" aluminum diamond plate cover reinforced for 300 psf (1465 kg/m²) live load and have a 1-inch recess to receive concrete or tile. If recess is to be filled with concrete or other cast material, the door is furnished with anchor clips and wire mesh

Frame: Extruded aluminum trough section with integral anchor flange on all four sides. Frame has a and 1 1/2" threaded drain coupling. The surface area in contact with concrete shall have a bituminous paint coating

Standard Sizes:

Model No.	Size (inches) W x L	Ship Wt. Lbs.
WB R-TPS 8400	24 x 24	32
WB R-TPS 8400	24 x 30	37
WB R-TPS 8400	24 x 36	42
WB R-TPS 8400	30 x 30	50
WB R-TPS 8400	30 x 36	46
WB R-TPS 8400	36 x 36	53
WB R-TPS 8400	42 x 42	64

* Steel available upon request.

Material/Finish: Aluminum cover and frame have mill finish

Latch: Two-point slam latch

Hinge: Continuous 316 stainless steel hinge that is flush with cover surface

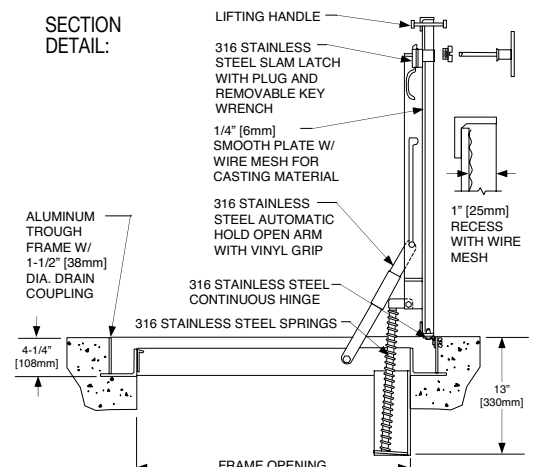
Security: A 316 stainless steel slamlock with threaded plug, removable outside key and fixed inside handle. The slamlock latches onto a 316 stainless steel striker plate that is bolted to the frame

Automatic Hold-open And Closing

Mechanism: Door is equipped with a cast aluminum flush lifting handle, 316 stainless steel hold-open arm with red vinyl grip that automatically keeps the cover in its open/upright position, and vertical open compression springs for lift assist

Installation: Installation shall be in accordance with the manufacturer's instructions

Flooring: Specify flooring with 1" recess for compression springs, for thicker floor covering and concrete



WB SRR-I 8600 Aluminum Security, Reservoir & Roof

The WB SRR-I Series hatch provides secure, convenient and weather resistant access onto roofs and into reservoirs. Bolt-on, non-flush installation to an existing opening, reinforced for 150 pounds per square foot (psf) loading.

Construction Specifications:

Cover: 3/16" aluminum [specify diamond plate or smooth plate] reinforced for 150lb/ft² [732kg/m²] pedestrian loading

Frame: 3/16" aluminum structural angle with holes for securing to curb or roof deck [specify internal or external mounting flange] and weatherseal gasket

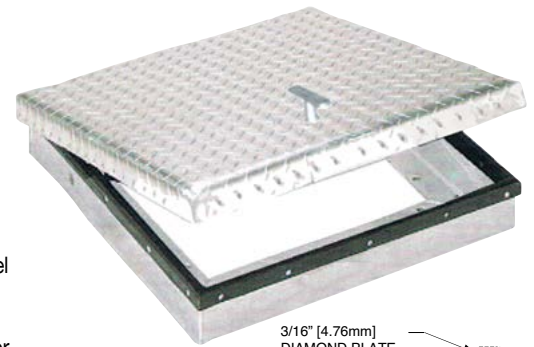
Finish: Mill finish aluminum cover and frame with 316 stainless steel hardware. Installation: Installation shall be in accordance with the manufacturer's instructions

Hinges: 316 stainless steel hinge and pin.

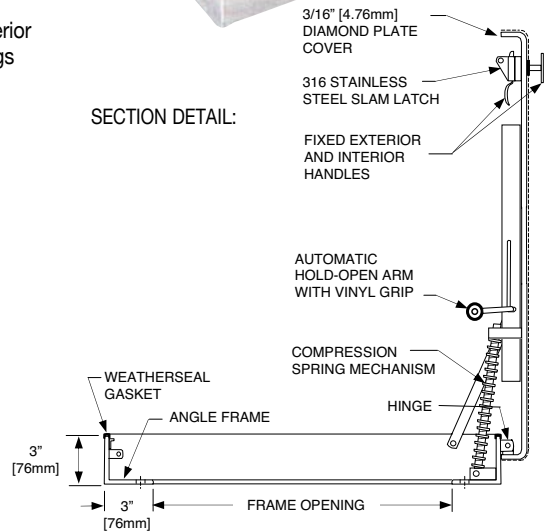
Spring Actuators: Stainless steel compression spring(s) contained within the frame

Automatic Hold-open Arm: 316 stainless steel with vinyl grip to hold cover in the [specify 70 degree or 90 degree] position

Latch: 316 stainless steel slam latch with interior and exterior handles, and interior padlock lugs



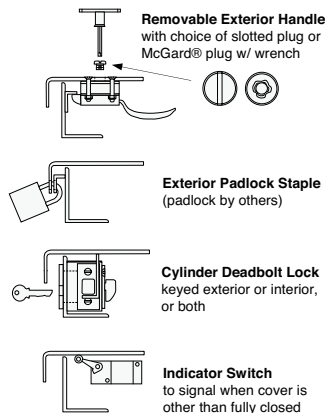
SECTION DETAIL:



Standard Sizes:

Model No.	Size (inches) W x L	Ship Wt. Lbs.
SRR-I	24 x 24	60
SRR-I	30 x 30	70
SRR-I	36 x 30	80
SRR-I	30 x 54	125
SRR-I	36 x 36	85
SRR-I	42 x 42	100
SRR-I	48 x 48	120

* Steel available upon request.



WB THS 8200 Aluminum w/Staple Floor Hatch

Flush installation in new cast-in-concrete applications. The heavy-duty trough type floor access door with drainable frame is designed for interior and exterior applications where dirt and water are to be prevented from falling into the area below. It is designed for off-street locations that may occasionally receive AASHTO H-20-44 wheel loads

Construction Specifications:

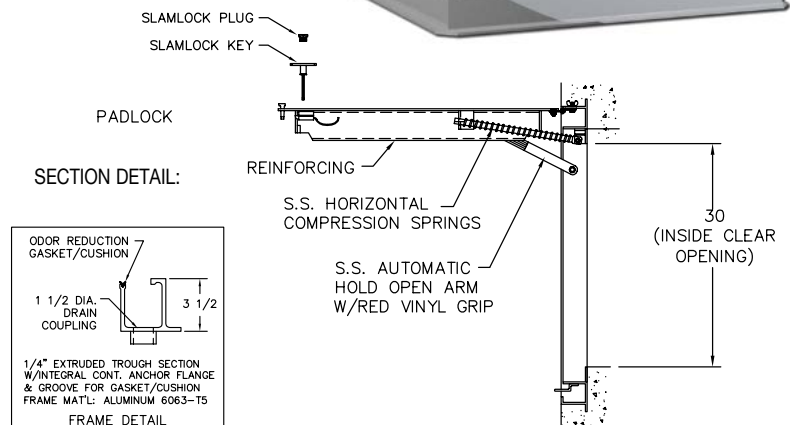
Material: Aluminum

Loading: Designed for off street locations which may occasionally receive H-20 wheel loads

Hardware: 316 Stainless steel nuts & bolts
Area of frame in contact with concrete to be painted with bituminous coating



SECTION DETAIL:



Standard Sizes:

Model No.	Size (inches) W x L	Ship Wt. Lbs.
WB THS 8200	24 x 24	60
WB THS 8200	30 x 30	80
WB THS 8200	30 x 36	90
WB THS 8200	36 x 36	100

* Steel available upon request.

WB THD 8250 (double) is available upon request.

WB FD-8500 Fire Rated Floor Hatch

The WB FD-8500 Fire Rated floor door has flush diamond plate cover for utility and general purpose applications. In subways, skyscrapers and everything in between, the WB FD incorporates the latest fire-resistive technology to protect floors above from fire below. Independently tested to NFPA 288 (ASTM E 119)

Construction Specifications:

Cover: [specify aluminum or steel] reinforced for 150 psf [732 kg/m²] live load, fitted with thermal-rated composite fire panel, tested for up to 2 hours per NFPA 288 (ASTM E119)

Frame: Thermal-break frame with [specify aluminum or steel] upper frame and stainless steel lower frame

Material/Finish: Cover and frame are mill finish aluminum. Hardware is stainless steel

Standard Sizes:

Model No.	Size (inches) W x L	Ship Wt. Lbs.
WB FD-8500	24 x 24	36
WB FD-8500	30 x 30	63
WB FD-8500	30 x 48	73
WB FD-8500	36 x 30	59
WB FD-8500	36 x 48	73
WB FD-8500	42 x 42	86
WB FD-8500	30 x 54	113
WB FD-8500	48 x 48	127

Steel available upon request.

Latch: Two-point slam latch

Hinge: Type 316 stainless steel

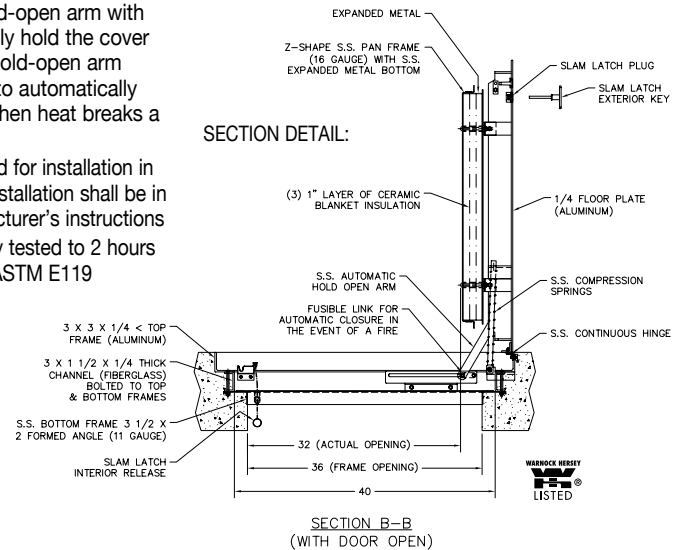
Spring Actuators: Stainless steel compression springs contained within the door assembly

Automatic Hold-open And Closing

Mechanism: Aluminum hold-open arm with red vinyl grip to automatically hold the cover in the 90 degree position. Hold-open arm incorporates a mechanism to automatically close and latch the cover when heat breaks a UL-listed fusible link

Installation: Door is designed for installation in dry, interior locations only. Installation shall be in accordance with the manufacturer's instructions

Fire Rated: Warnock Hersey tested to 2 hours rating, tested to NFPA 288 (ASTM E119)



WB FD-P 8550 Fire Rated Floor Hatch for Recess

In subways, skyscrapers and everything in between, the WB FD-P incorporates the latest fire-resistive technology to protect floors above from fire below. Independently tested to NFPA 288 (ASTM E 119)

Construction Specifications:

Cover: Aluminum, 1" (concrete) or 1/8" (tile) recess reinforced for 150 psf [732 kg/m²] live load, fitted with thermal-rated composite fire panel, tested for up to 2 hours per NFPA 288 (ASTM E119)

Frame: Thermal-break frame with aluminum upper frame and stainless steel lower frame

Material/Finish: Cover and frame are mill finish aluminum. Hardware is stainless steel

Standard Sizes:

Model No.	Size (inches) W x L	Ship Wt. Lbs.
WB FD-P 8550	24 x 24	80
WB FD-P 8550	24 x 36	140
WB FD-P 8550	24 x 48	160
WB FD-P 8550	30 x 30	130
WB FD-P 8550	30 x 36	160
WB FD-P 8550	36 x 36	190
WB FD-P 8550	36 x 48	240
WB FD-P 8550	42 x 42	250
WB FD-P 8550	48 x 48	280

Steel available upon request.

Latch: Two-point slam latch

Hinge: Type 316 stainless steel

Spring Actuators: Stainless steel compression springs contained within the door assembly

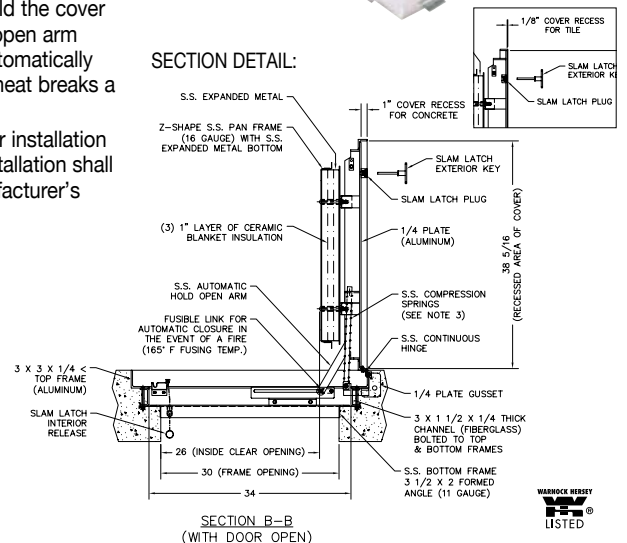
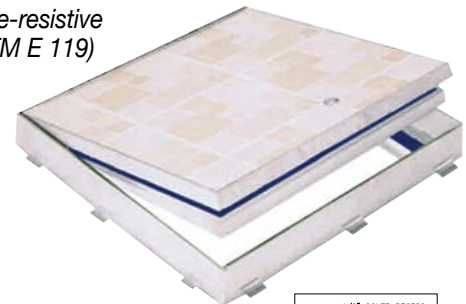
Automatic Hold-open And Closing

Mechanism: Aluminum hold-open arm with red vinyl grip to automatically hold the cover in the 90 degree position. Hold-open arm incorporates a mechanism to automatically close and latch the cover when heat breaks a UL-listed fusible link

Installation: Door is designed for installation in dry, interior locations only. Installation shall be in accordance with the manufacturer's instructions

Flooring: Recessed for thicker architectural flooring (ceramic, stone, terrazzo, etc.)

Fire Rated: Warnock Hersey tested to 2 hours rating, tested to NFPA 288 (ASTM E119)



Bilco Products: Hatch Railing, Stair Access, Fire Vents, Drainage, and Floor Hatches. Submittals Available On Our Website at www.wbdoors.com

Bil-Guard® Hatch Railing System

Model No.	Size (inches) W x L	Ship Wt. Lbs.
RL-S	36 x 30	52
RL-E	36 x 36	52
RL-F	48 x 48	61
RL-NB	30 x 54	60
RL-L	30 x 96	76



LadderUP®

Model No.	Ship Wt. Lbs.
WB LU-1 Steel, yellow	24
WB LU-2 Steel, galvanized	24

LU-3 and LU-4 available upon request



Type L Service Stairs Access

Model No.	Size (inches) W x L	Ship Wt. Lbs.
L-20 Steel	30 x 96	434
L-40 Steel Curb Alum Cvr	30 x 96	295
L-50 Aluminum	30 x 96	253
L-90 Stainless Steel	30 x 96	434
RL-L	30 x 96	76



S & E Roof Hatch

Model No.	Size (inches) W x L	Ship Wt. Lbs.
20 Steel*	36 x 30	168
S-50 Aluminum*	36 x 30	135
E-20 Steel	36 x 36	192
E-50 Aluminum	36 x 36	117
RL-L	30 x 96	76



* Miami-Dade County approved.

J-AL & JD-AL Aluminum Drainage Door

Model No.	Size (inches) W x L	Ship Wt. Lbs.
J-1AL Aluminum	24 x 24	65
J-2AL Aluminum	30 x 30	88
J-3AL Aluminum	36 x 30	97
J-4AL Aluminum	36 x 36	108
J-5AL Aluminum	42 x 42	135



DSH Automatic Fire Vent

Model No.	Size (inches) W x L	Ship Wt. Lbs.
DSH4848 Steel	48 x 48	367
DSH4872 Steel	48 x 72	455
DSH4890 Steel	48 x 60	695
DSH4896 St Curb-Al Cvr	48 x 96	485
DSH6060 Aluminum	60 x 60	330



J & JD Steel Drainage Door

Model No.	Size (inches) W x L	Ship Wt. Lbs.
J-1 Steel	24 x 24	50
J-2 Steel	30 x 30	65
J-3 Steel	36 x 30	77
J-4 Steel	36 x 36	86
J-5 Steel	40 x 40	109



FR & FRLC Fire Rated Floor Hatch

Model No.	Size (inches) W x L	Ship Wt. Lbs.
FR 2 Aluminum	30 x 30	271
FR 3 Aluminum	36 x 30	277
FR 4 Aluminum	36 x 36	326
FR 5 Aluminum	42 x 42	368
FR 6 Aluminum	30 x 48	328

FRLC available upon request if closing mechanism is not required by local fire authorities



K & KD Floor Hatch

Model No.	Size (inches) W x L	Ship Wt. Lbs.
K-1 Aluminum	24 x 24	50
K-2 Aluminum	30 x 30	65
K-3 Aluminum	36 x 30	77
K-4 Aluminum	36 x 36	86
K-5 Aluminum	42 x 42	109



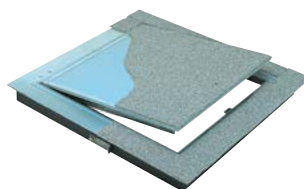
Q Floor Hatch

Model No.	Size (inches) W x L	Ship Wt. Lbs.
Q-1 Steel	24 x 24	122
Q-2 Steel	30 x 30	166
Q-3 Steel	36 x 30	190
Q-4 Steel	42 x 42	219



T & TD Floor Hatch

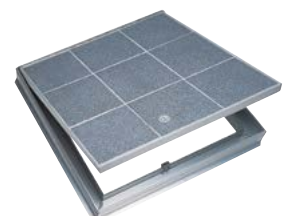
Model No.	Size (inches) W x L	Ship Wt. Lbs.
T-1 Aluminum	24 x 24	53
T-2 Aluminum	30 x 30	68
T-3 Aluminum	36 x 30	81
T-4 Aluminum	36 x 36	91



TD available upon request (double leaf)

TER & TRD Floor Hatch

Model No.	Size (inches) W x L	Ship Wt. Lbs.
TER-1 Aluminum	24 x 24	100
TER-2 Aluminum	30 x 30	110
TER-3 Aluminum	36 x 30	120
TER-4 Aluminum	36 x 36	130



TRD available upon request (double leaf)

WB Fixed Vertical Ladder

Introducing Our New Easy Access Aluminum Fixed Vertical Ladders

Williams Brothers offers a complete line of aluminum vertical ladders custom fabricated to your exact field measurements. By Precision Ladders, LLC

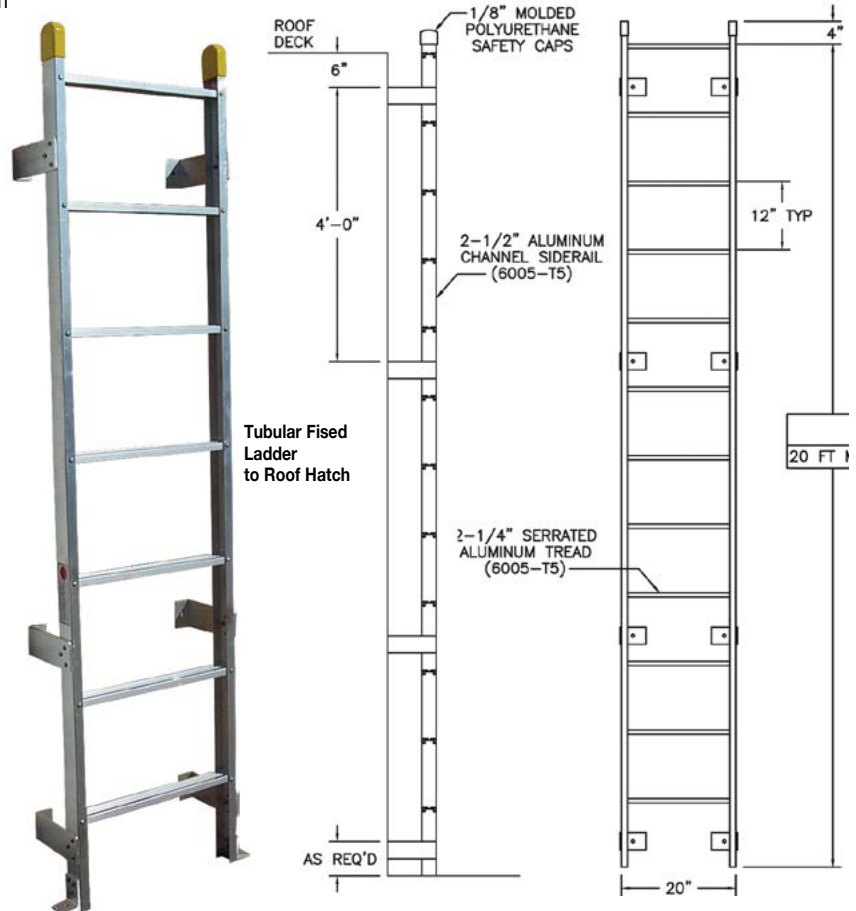
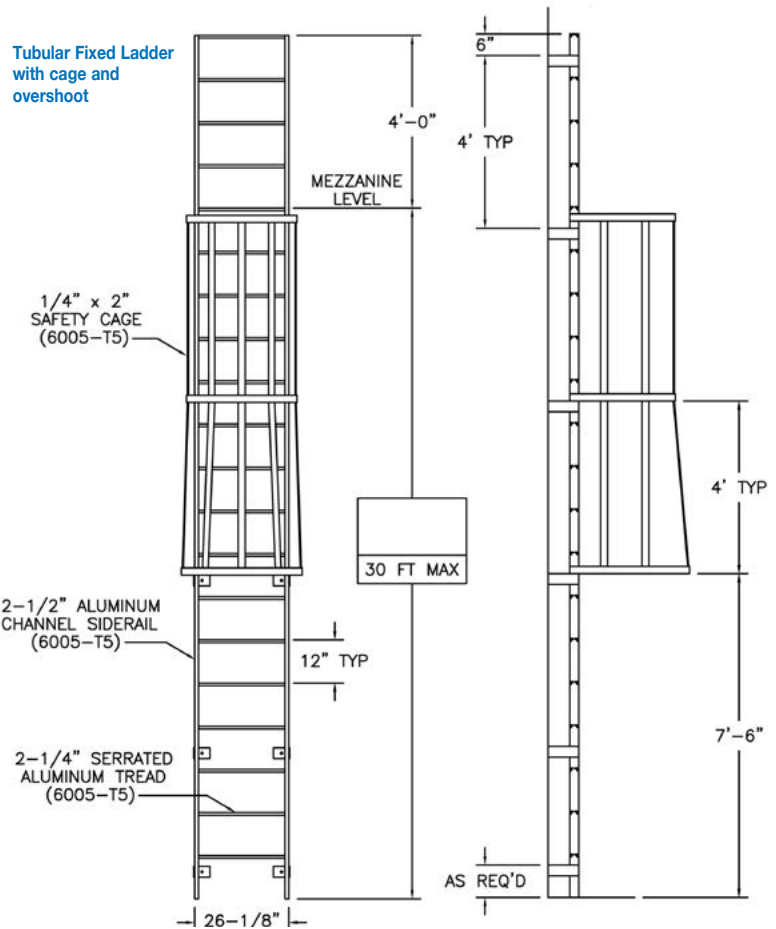
Product Features:

- FL series—Aluminum Fixed Vertical Ladders are Precision Ladders' channel side rail design. Treads are attached to siderails using 4 rivets rated at 1100 lbs. shear strength each. Additionally, all edges on the side rails and treads have been rounded for a burr-free surface, providing a more comfortable, powerful grip for the hands.
- Treads are a full 2-1/4" deep and are serrated to maximize traction. These treads have been thoroughly tested for strength, and are able to withstand a 1000 pound loading without failure.
- Safety cages are required on most ladders in excess of 20' length to a maximum unbroken length of 30' (plus rail extensions). Cages are also recommended for shorter ladders at high or hazardous locations.
- Other options include, but not limited to; Security Doors with stainless steel piano hinge and padlock provision, Floor Brackets with pre-drilled holes for attaching ladders to the floor, Walk-Thrus, Overshoots, Parapet Platforms and Returns as well as Rest Platforms, Security Gates for Cages, and many more customized options
- Mill finish is standard. Other finish options; Anodized and Powder coat

NOTE: When accessing a roof from a building's interior consider combining the ladder with a Roof Hatch, Safety Post, Safety Grab or a WB Guard Rail system with self closing gate. This gives customers the option of a complete roof access system from a single source.

Available in 10, 12, 14, 16, and 18 feet

Tubular Fixed Ladder with cage and overshoot



WB Super Simplex Disappearing Stairway

Introducing Our New Disappearing Attic or Roof Access Ladder. By **Precision Ladders, LLC**

Construction Features:

- Customized to meet most job conditions
- Built to the exact finished ceiling and floor/ roof deck heights
- Meets requirements of A.N.S.I. A14.9 for "Commercial" or "Residential" use
- Test weight of 500 Lbs
- Individual tread test weights of 1000 Lbs
- Actual shear of rivets tested to 1175 Lbs
- 11 ga. formed steel frame
- Extruded aluminum treads and side rails
- 5 3/16" tread depth
- Can accommodate ceiling heights up to 13' 6"

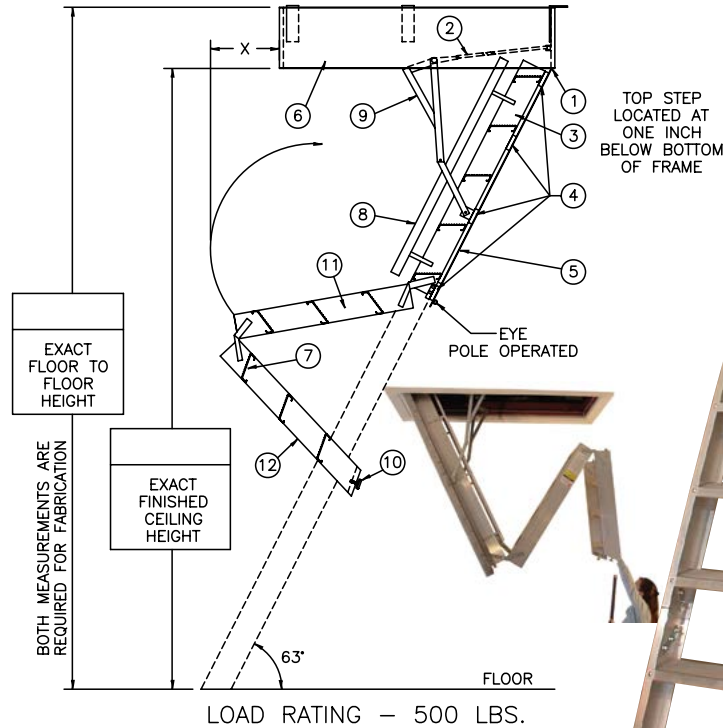
Options:

- Units available for both non-rated and fire rated ceilings
- Lock on door panel (std on fire-rated units)
- Special Deep Box and Deep Angle frames to accommodate dropped ceilings
- 2 hour fire-rated Warnock Hersey label that meets ASTM-E-119 and UBC 43-7 requirements, passed 250o temperature rise in the first 30 minutes
- Fold-Assist (std on units 9'-10' and taller)
- For units accessing a roof, custom roof hatches are produced and factory mounted then shipped to the job site as one complete roof access system

LOAD CAPACITY:

500lbs.

Combined Weight of User and Materials



LADDER LEGEND

- | | |
|---------------------------|------------------------------|
| 1. STEEL PIANO DOOR HINGE | 7. TREAD (SERRATED ALUM.) |
| 2. DOUBLE SPRING ACTION | 8. HANDRAIL RIGHT SIDE ONLY |
| 3. SIDE RUNNER 5" ALUM. | 9. EXTRA HEAVY OPERATING ARM |
| 4. BATTEN 1/8" ALUM. | 10. ADJUSTABLE FOOT |
| 5. DOOR PANEL 1/8" ALUM. | 11. MIDDLE SECTION |
| 6. STEEL BOX FRAME | 12. BOTTOM SECTION |



Fire-Rated pictured

WB Fire Rated Ladder Access Hatch

Our Fire Rated access hatch that can be installed with our new disappearing attic or roof ladder. By **Precision Ladders, LLC**

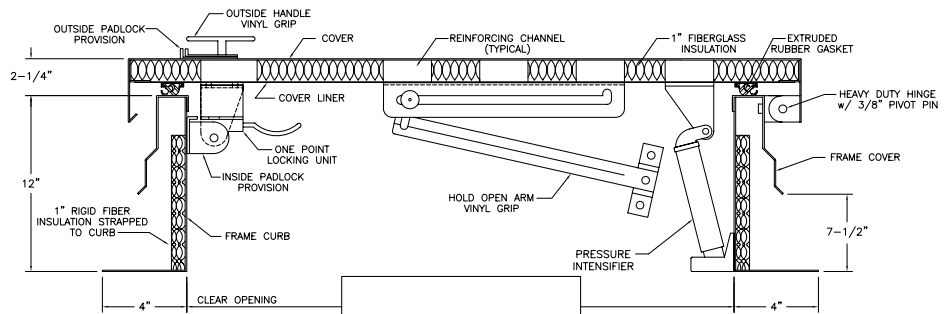
Construction Features:

- Galvanized Steel (prime painted) option: 14 ga. cover, frame cover and frame curb; 22 ga. cover liner
- Aluminum (mill finish) option: 11 ga. cover, frame cover, and frame curb; 18 ga. cover

liner

Options:

- 1 1/2" curb insulation
- Double wall curb
- Stainless steel hardware





**The Williams Brothers
Corporation
of America**



GP 100 Premium Access Door

Design Quality and Consistency for 50 Years

The **CHOICE** of Building Professionals and
Architecturally **SPECIFIED** Nationwide

Phone: 1-800-255-5515 ■ Fax: 1-800-822-5001 ■ Website: www.wbdoors.com

Corporate Office: 1330 Progress Drive, Front Royal, Virginia 22630 ■ **Western Distribution:** Reno, NV

For country of manufacture of all Williams Brothers products please call us or visit our website at www.wbdoors.com

